

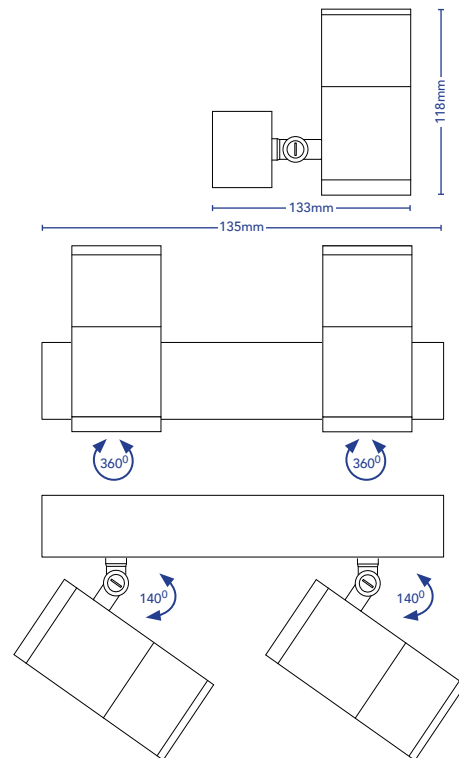
TOVO



C41 AVEDON TWIN

DESCRIPTION	Twin Head Adjustable Spotlight with glass diffuser
CODES	1062
FINISHES	White, Black, Copper, Brass, Stainless Steel, Custom
COLOUR TEMP	2700K, 3000K
BEAM ANGLE	60, 38, 24
CRI	≥90
LUMEN OUTPUT	1054Lm (527Lm per head)
WATTAGE	10W (5W per head)
FIXTURE VOLTAGE	24V DC Constant Voltage 240V AC
DIMMING	Based On Driver and Voltage Selection
DRIVER	Remote Driver Required for 24V DC Selection Integral Driver Provided for 240V AC Selection
DRIVER OPTIONS	Non-Dim, Phase, Touch, DALI
IP RATING	IP66

Notes:
All data stipulated are nominal values based on 2700K with accuracy of +/- 5%.



WHITE



BLACK



COPPER



BRASS



STAINLESS
STEEL



CUSTOM



TILT
140°



ROTATION
355°



INGRESS
IP66

C41 AVEDON TWIN

MANUFACTURING OPTIONS

FIXTURE						DRIVER
CODE	FINISH	BACK PLATE	CCT	BEAM ANGLE	VOLTAGE	DIMMING
1062	WH - White	FOD - Flat Oval Double	27 - 2700K	24 - 24° Narrow	24V - 24V DC	ND - Non-Dim
	BLK - Black	FRD - Flat Rectangular Double	30 - 3000K	38 - 38° Medium		PH - Phase Dim
	CU - Copper			60 - 60° Wide	TH - Touch Dim	
	BR - Brass				DA - DALI	
	SS - Stainless Steel					
	CF - Custom Finish					
		BACK PLATE	CCT	BEAM ANGLE	VOLTAGE	DIMMING
		IRD - Integral Rectangular Double	27 - 2700K	24 - 24° Narrow	* 240V - 240V AC	ND - Non-Dim
			30 - 3000K	38 - 38° Medium		
				60 - 60° Wide		

Example Code: **1062_CU_FOD_27_38_24V**

Notes:
 * 240V AC Fixture are only available with Integral Back Plates. A non-dimmable AC to DC driver is provided inside the Back Plate.
 Phase dimmable drivers are not recommended for 24V DC fixtures due to possible flickering, but can be provided upon request.

BACK PLATES

24V DC



FOD - Flat Oval Double



FRD - Flat Rectangular Double

240V AC



IRD - Integral Rectangular Double

Notes:
 All screws provided for installation into different materials.