

ALBANY MODULATED CLICK SPOT SERIES – TRIM – A SPOT

DESCRIPTION : ADJUSTABLE MODULATED DOWNLIGHT SYSTEM WITH CONE BAFFLE

CODES:

1 LIGHT : 4651

2 LIGHT CODE : 4652

3 LIGHT CODE : 4653

COLOURS : WHITE, BLACK

COLOUR TEMPERATURE : 2700K, 3000K

CRI : 92

LUMENS : 580lm per lamp

INPUT VOLTAGE : 220V_AC

WATTAGE : 9.5W per lamp

BEAM ANGLE : 60°, 38°, 24°, 15°, 7°

DIMMABLE : YES
PHASE, AUTOMATION, DALI

DRIVER : REMOTE

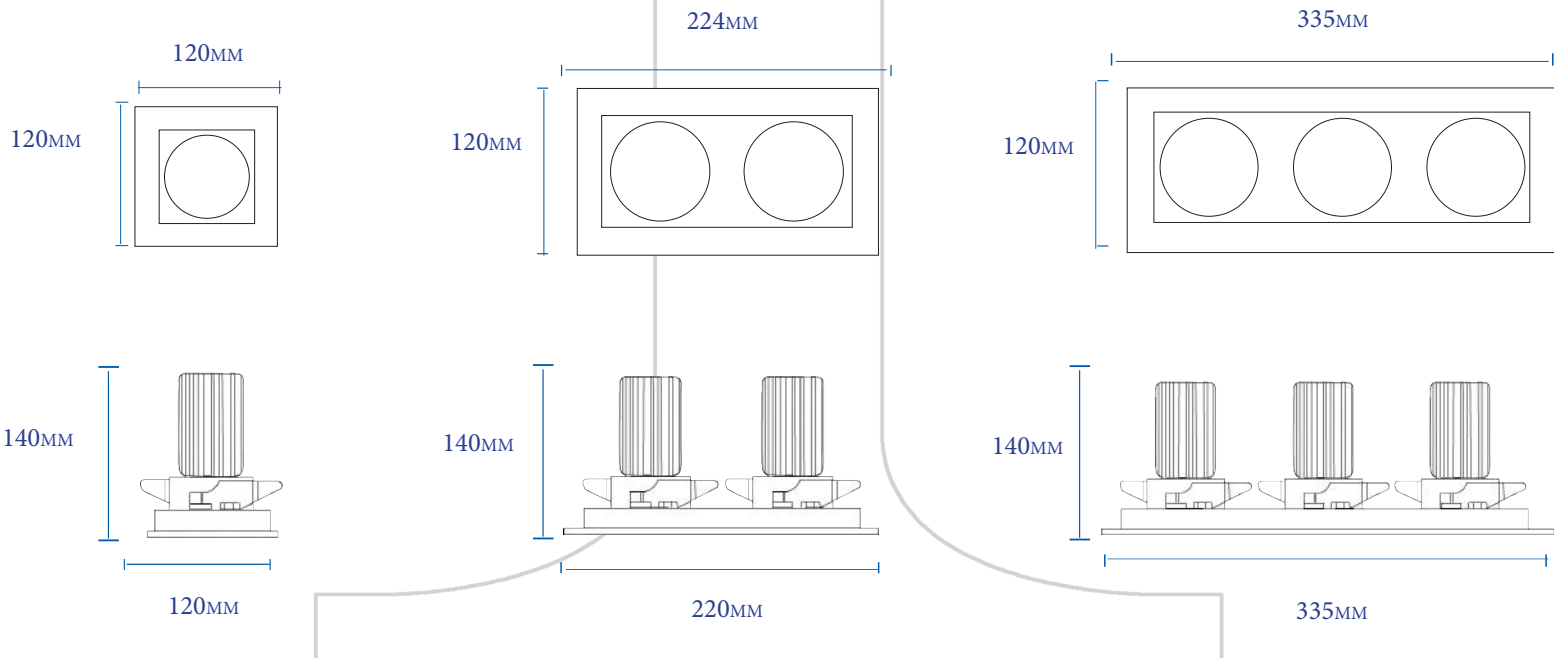
IP RATING : IP20

CUT OUT :

1 LIGHT: 110mm x 110mm

2 LIGHT: 205mm x 110mm

3 LIGHT: 305mm x 110mm



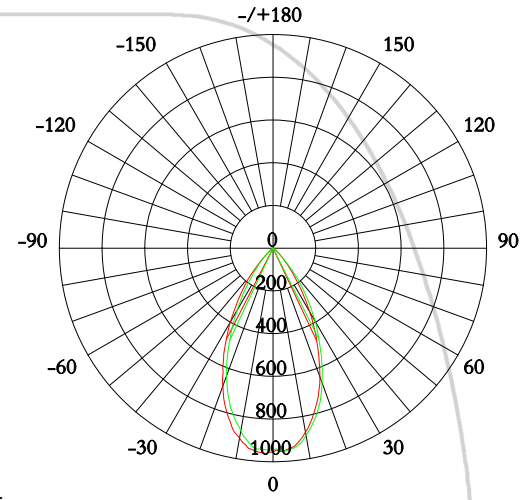
PHOTOMETRY

MODEL ALBANY MODULATED CLICK SPOT SERIES -TRIM - A SPOT

NOMINAL POWER	9.5W	LIGHT OUTPUT RATIO	100%
RATED VOLTAGE	240V	CIE CLASS	DIRECT
NOMINAL FLUX	762.63 LM	UP	0.1%
LAMPS INSIDE	1	DOWN	99.9%
IMAX	961.2 CD	EFFICIENCY	80.20 LM/W

CANDELA DISTRIBUTION

VERTICAL ANGLE	HORIZONTAL ANGLE								ZONAL LUMENS
	0°	45°	90°	135°	180°	225°	270°	315°	
10	874.6	869.8	889.0	910.6	903.4	880.9	868.1	873.3	88.14
20	642.0	651.6	670.3	688.0	685.9	664.4	636.9	623.0	306.3
30	344.5	372.7	396.5	402.9	400.5	371.4	337.4	323.5	539.3
40	119.1	143.3	158.9	137.0	157.9	138.2	114.9	109.8	690.0
50	28.31	23.87	22.48	21.02	21.31	21.61	25.16	27.12	740.1
60	12.20	9.888	8.162	6.467	6.803	8.035	9.791	10.81	753.8
70	5.147	3.866	2.539	2.309	1.503	2.602	3.876	5.090	759.1
80	2.693	1.743	0.8730	0.9571	0.0791	0.6308	1.661	2.543	761.7
90	0.0007	0	0	0	0	0	0	0	762.2
100	0	0	0	0	0	0	0	0	762.2
110	0	0	0	0	0	0	0	0	762.2
120	0	0	0	0	0	0	0	0	762.2
130	0	0	0	0	0	0	0	0	762.2
140	0	0	0	0	0	0	0	0	762.2
150	0	0	0	0	0.3966	0.3158	0.3955	0.3978	762.3
160	0.1583	0.2353	0.1582	0.1577	0.6331	0.7098	0.7118	0.6365	762.4
170	0.6297	0.6255	0.5518	0.4799	0.6331	0.7098	0.7118	0.6365	762.6
180	0.7122	0.7912	0.8700	0.7161	0.6331	0.7098	0.7118	0.6365	762.6



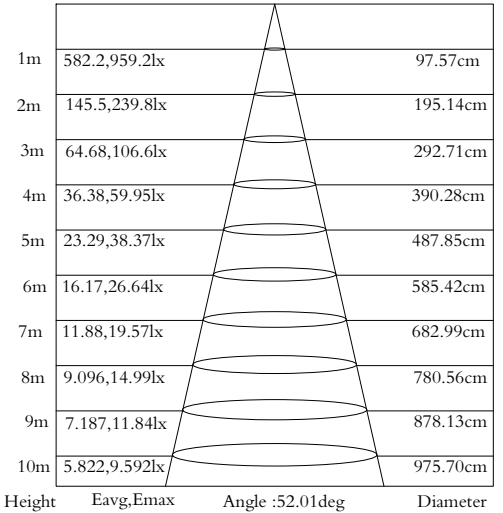
AVERAGE BEAM ANGLE UNIT: CD
 (50%): 52.2°
 — C0 180°, 52.4°
 — C90 270°, 52.1°

VERTICAL ANGLE	HORIZONTAL ANGLE	
	0	90
85	573	37
80	610	198
75	626	265
70	592	292
65	671	318
60	959	642
55	1270	949
50	1732	1375
45	3441	3736

COEFFICIENTS OF UTILISATION (%)

CEILING	80%			70%			50%			30%			10%			0
	50%	30%	10%	50%	30%	10%	50%	30%	10%	50%	30%	10%	50%	30%	10%	
RCR 0	1.19	1.19	1.19	1.16	1.16	1.16	1.11	1.11	1.11	1.06	1.06	1.06	1.02	1.02	1.02	.00
1	1.11	1.08	1.06	1.08	1.06	1.04	1.04	1.03	1.01	1.01	.99	.97	.97	.97	.97	.93
2	1.03			1.01			.98			.95		.92	.92	.92	.92	.87
3	.96			.94			.92			.89	.86	.83	.87			.81
4	.90			.88	.83	.79	.86	.82	.78	.84	.80		.82	.79	.76	.75
5	.84			.83			.81	.76	.73	.79	.72		.78			.70
6	.79	.73	.68	.78		.68	.76		.67	.75	.71	.67	.74			.65
7	.74	.68		.73	.68	.64	.72		.63	.71		.66	.70	.66	.63	.61
8	.70	.64		.69	.64		.68	.63	.59	.67		.66	.66			.58
9	.66	.60	.56	.66			.65			.64	.59	.56	.63			.54
10	.63			.62	.57	.53	.61		.53	.60		.60	.60			.51

Flux out : 474.8 lm



BODY

MAIN HOUSING IS RECESSED INTO THE CEILING WITH THE TRIM COVERING THE CUT OUT, ALLOWING SIMPLE EASE OF INSTALLATION. DOWNLIGHT BODIES CAN BE INTERCHANGED BETWEEN CLICK SPOT RANGE.

LAMP

BRIGHTTEK LED 6.5W LAMP WITH DIMMABLE LED DRIVER. THE BT LED LAMP AVAILABLE IN WARM WHITE 2700K OR 3000K. 4000K IS AVAILABLE ON CUSTOM REQUEST.

INSTALLATION

RECESSED DOWNLIGHTS CUT OUTS :

- 1 LIGHT: 110mm x 110mm
- 2 LIGHT: 205mm x 110mm
- 3 LIGHT: 305mm x 110mm

POWER SUPPLY

24V LED FLEX & PLUG DRIVER

WEIGHT

200G

