

TOVO

TOVO LIGHTING | 726 PITTWATER ROAD, BROOKVALE, SYDNEY, NSW AUSTRALIA 2100
 TELEPHONE +61 2 9939 1122 | SALES@TOVOLIGHTING.COM.AU | TOVOLIGHTING.COM.AU

Backplate Options - Long Reef, Horst, Orpheus

At Tovo Lighting we offer a number of alternative backing plates on a range of our products. We do this for both aesthetic and technical reasons. Standard and flat backplates are available across the range. Integral backplates are available for particular instances where 240V is required so that a small driver can be incorporated into the fitting.

All options are supplied in the same high quality corrosion resistant materials that TOVO are renowned for, solid Copper, 316 marine grade Stainless Steel, White & Black powdercoat, custom finishes are available on request.

For our popular Long Reef, Horst & Orpheus light fittings (our up/down lights) we offer the following options.



316 Marine Grade
Stainless Steel



Solid
Copper



White
Powdercoated



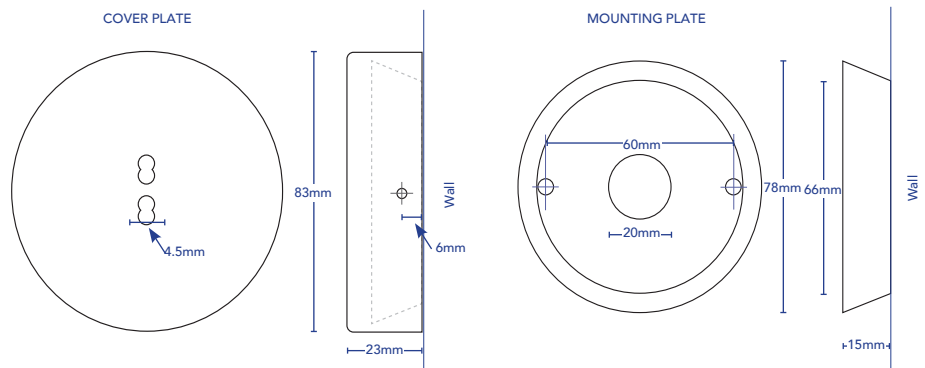
Black
Powdercoated



Custom
Finishes

1. Standard Backplate (SB) - Long Reef & Horst - 12V, 24V & 240V, Orpheus - 12V & 24V

Parts - 1x Cover Plate, 1x Mounting Plate, 2x M3 6mm Pan Head Screws, 2x 6G 26mm Pan Head Screws



2. Flat Rectangular (FREC) - Long Reef & Horst - 12V & 240V, Orpheus - 12V & 24V

Parts - 1x Flat Backplate 2mm thickness, 2x 6Gx26mm Counter Sunk Screws

