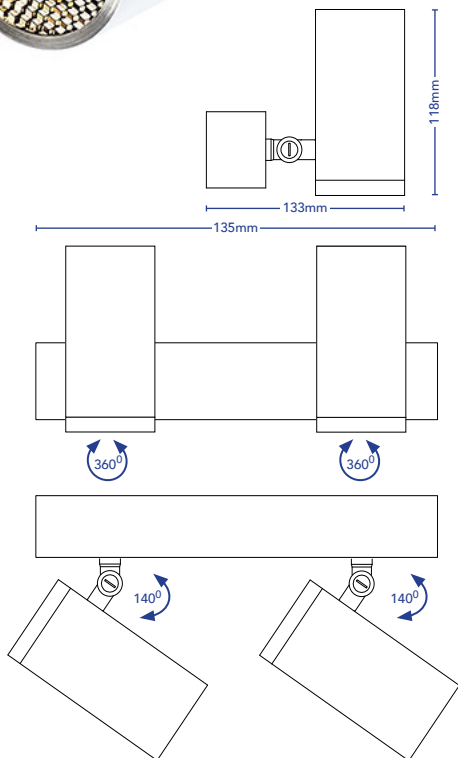
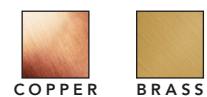
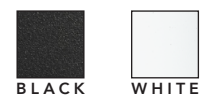


TOVO



NOOSA TWIN

DESCRIPTION	Twin Head Adjustable Spotlight
CODES	2350
FINISHES	White, Black, Copper, Brass, Stainless Steel, Aged Copper, Aged Brass, Custom
COLOUR TEMP	2700K, 3000K
BEAM ANGLE	60, 38, 18
CRI	≥90
LUMEN OUTPUT	1352Lm (676Lm per head)
WATTAGE	16W (8W per head)
FIXTURE VOLTAGE	24V DC Constant Voltage 240V AC
DIMMING	Based On Driver and Voltage Selection
DRIVER	Remote Driver Required for 24V DC Selection Integral Driver Provided for 240V AC Selection
DRIVER OPTIONS	Non-Dim, Phase, Touch, DALI
IP RATING	IP66



NOOSA TWIN

MANUFACTURING OPTIONS

FIXTURE						DRIVER
CODE	FINISH	BACK PLATE	CCT	BEAM ANGLE	VOLTAGE	DIMMING
2350	WH - White	FOD - Flat Oval Double	27 - 2700K	24 - 24° Narrow	24V - 24V DC	ND - Non-Dim
	BLK - Black	FRD - Flat Rectangular Double	30 - 3000K	38 - 38° Medium		PH - Phase Dim
	CU - Copper			60 - 60° Wide	TH - Touch Dim	
	BR - Brass				DA - DALI	
	SS - Stainless Steel					
	AC - Aged Copper					
	AB - Aged Brass					
CF - Custom Finish						
		BACK PLATE	CCT	BEAM ANGLE	VOLTAGE	DIMMING
		IRD - Integral Rectangular Double	27 - 2700K	24 - 24° Narrow	* 240V - 240V AC	ND - Non-Dim
			30 - 3000K	38 - 38° Medium		
				60 - 60° Wide		

Example Code: **2350_CU_FOD_27_38_24V**

Notes:
 * 240V AC Fixture are only available with Integral Back Plates. A non-dimmable AC to DC driver is provided inside the Back Plate.
 Phase dimmable drivers are not recommended for 24V DC fixtures due to possible flickering, but can be provided upon request.

BACK PLATES

24V DC



FOD - Flat Oval Double



FRD - Flat Rectangular Double

240V AC



IRD - Integral Rectangular Double

Notes:
 All screws provided for installation into different materials.