

DOWNLIGHT - MODULATED CLICK SPOT SERIES - SEMI TRIMLESS - A SPOT

DESCRIPTION : MODULATED DOWNLIGHT SYSTEM WITH CONE Baffle

CODES : 4638

COLOURS : WHITE, BLACK

COLOUR TEMPERATURE : 2700K

CRI : 92

LUMENS : 580lm

INPUT VOLTAGE : 240V

WATTAGE : 9.5W

BEAM ANGLE : 60°, 38°, 24°, 15°, 7°

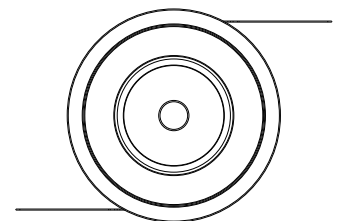
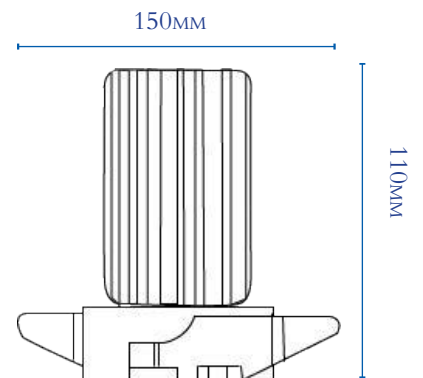
DIMMABLE : YES

PHASE, AUTOMATION, DALI

DRIVER : INCORPORATED

IP RATING : IP20

CUT OUT : 76mm





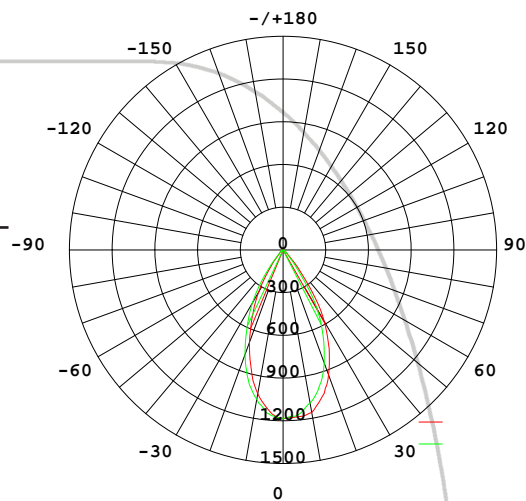
PHOTOMETRY

MODEL DOWNLIGHT MODULATED SERIES - CLICK SPOT A - SEMI TRIMLESS

| | | | |
|---------------|------------|--------------------|------------|
| NOMINAL POWER | 10W | LIGHT OUTPUT RATIO | 100% |
| RATED VOLTAGE | 240V DC | CIE CLASS | DIRECT |
| NOMINAL FLUX | 915.303 LM | Up | 0.2% |
| LAMPS INSIDE | 1 | DOWN | 99.8% |
| IMAX | 1190 CD | EFFICIENCY | 81.59 LM/W |

CANDELA DISTRIBUTION

| VERTICAL ANGLE | HORIZONTAL ANGLE | | | | | | | | | ZONAL LUMENS |
|----------------|------------------|--------|--------|--------|--------|--------|--------|--------|-------|--------------|
| | 0° | 45° | 90° | 135° | 180° | 225° | 270° | 315° | | |
| 10 | 1158 | 1123 | 1091 | 1058 | 1025 | 1027 | 1066 | 1129 | 108 | |
| 20 | 933.7 | 911.6 | 845.6 | 739.3 | 691.7 | 696.7 | 783.4 | 883.6 | 376.5 | |
| 30 | 579.1 | 572.7 | 480.4 | 386.8 | 350 | 369.5 | 435 | 524.1 | 665.3 | |
| 40 | 162.8 | 139.6 | 104.4 | 82.99 | 81.34 | 93.97 | 109.6 | 160.1 | 829.1 | |
| 50 | 33.99 | 34.28 | 32.50 | 31 | 30.05 | 30.15 | 31.30 | 33.05 | 871.9 | |
| 60 | 17.37 | 17.19 | 17.45 | 17.27 | 16.76 | 17.02 | 17.33 | 17.57 | 893.3 | |
| 70 | 9.354 | 9.597 | 10.01 | 10.06 | 9.324 | 9.571 | 9.580 | 9.055 | 905.9 | |
| 80 | 3.972 | 3.816 | 3.605 | 3.381 | 2.441 | 2.447 | 2.785 | 3.049 | 912.4 | |
| 90 | 0.0026 | 0.0020 | 0 | 0 | 0 | 0 | 0 | 0 | 913.6 | |
| 100 | 0 | 0 | 0 | 0 | 0 | 0 | 0 | 0 | 913.6 | |
| 110 | 0 | 0 | 0 | 0 | 0 | 0 | 0 | 0 | 913.6 | |
| 120 | 0 | 0 | 0 | 0 | 0 | 0 | 0 | 0 | 913.6 | |
| 130 | 0 | 0 | 0 | 0 | 0.0003 | 0.1598 | 0 | 0.3370 | 913.6 | |
| 140 | 0.0789 | 0.0792 | 0 | 0.1598 | 0.6323 | 0.6605 | 0.2919 | 0.4625 | 913.7 | |
| 150 | 0.6327 | 0.0792 | 0.9575 | 0.9552 | 1.109 | 0.9615 | 0.9592 | 0.7241 | 914.1 | |
| 160 | 1.710 | 1.735 | 1.354 | 1.525 | 1.350 | 1.393 | 1.490 | 1.276 | 914.6 | |
| 170 | 3.049 | 2.867 | 1.519 | 1.844 | 1.395 | 1.839 | 1.735 | 1.806 | 915.1 | |
| 180 | 1.980 | 1.900 | 1.759 | 1.846 | 1.426 | 1.900 | 1.918 | 1.927 | 915.3 | |



AVERAGE BEAM ANGLE UNIT: CD
 (50%): 52.2°
 — C0 180°, 52.2°
 — C90 270°, 52.3°

| VERTICAL ANGLE | HORIZONTAL ANGLE | |
|----------------|------------------|------|
| | 0 | 90 |
| 85 | 751 | 577 |
| 80 | 899 | 816 |
| 75 | 1001 | 986 |
| 70 | 1075 | 1151 |
| 65 | 1076 | 1153 |
| 60 | 1366 | 1373 |
| 55 | 1640 | 1636 |
| 50 | 2079 | 1988 |
| 45 | 3136 | 2603 |

COEFFICIENTS OF UTILISATION (%)

| CEILING | 80% | | | 70% | | | 50% | | | 30% | | | 10% | | | 0 |
|---------|------|------|------|------|------|------|------|------|------|------|------|------|------|------|------|-----|
| | 50% | 30% | 10% | 50% | 30% | 10% | 50% | 30% | 10% | 50% | 30% | 10% | 50% | 30% | 10% | |
| WALL | 0 | | | | | | | | | | | | | | | |
| FLOOR | 0 | | | | | | | | | | | | | | | |
| RCR 0 | 1.19 | 1.19 | 1.19 | 1.16 | 1.16 | 1.16 | 1.11 | 1.11 | 1.11 | 1.06 | 1.06 | 1.06 | 1.02 | 1.02 | 1.02 | .00 |
| 1 | 1.11 | 1.08 | 1.06 | 1.08 | 1.06 | 1.04 | 1.04 | 1.03 | 1.01 | 1.01 | .99 | .98 | .97 | .96 | .95 | .93 |
| 2 | 1.03 | .99 | .95 | 1.01 | .97 | .94 | .98 | .95 | .92 | .95 | .92 | .90 | .92 | .90 | .88 | .87 |
| 3 | .96 | .91 | .87 | .94 | .90 | .86 | .92 | .88 | .85 | .89 | .86 | .83 | .87 | .84 | .82 | .81 |
| 4 | .90 | .84 | .80 | .88 | .83 | .79 | .86 | .82 | .78 | .84 | .80 | .77 | .82 | .79 | .76 | .75 |
| 5 | .84 | .78 | .74 | .83 | .77 | .73 | .81 | .76 | .73 | .79 | .75 | .72 | .78 | .74 | .71 | .70 |
| 6 | .79 | .73 | .68 | .78 | .72 | .68 | .76 | .71 | .68 | .75 | .71 | .67 | .74 | .70 | .67 | .65 |
| 7 | .74 | .68 | .64 | .73 | .68 | .64 | .72 | .67 | .63 | .71 | .66 | .63 | .70 | .66 | .63 | .61 |
| 8 | .70 | .64 | .60 | .69 | .64 | .60 | .68 | .63 | .59 | .67 | .63 | .59 | .66 | .62 | .59 | .58 |
| 9 | .66 | .60 | .56 | .66 | .60 | .56 | .65 | .59 | .56 | .64 | .59 | .56 | .63 | .59 | .55 | .54 |
| 10 | .63 | .57 | .53 | .62 | .57 | .53 | .61 | .56 | .53 | .60 | .56 | .53 | .60 | .55 | .52 | .51 |

BODY

MODULATED DOWNLIGHT SYSTEM WITH SMALL TRIM ALLOWING INTERCHANGABLE BODY AND HOUSINGS.

LAMP

BRIGHTTEK LED LAMP WITH DIMMABLE A 36V 250m LED DRIVER. THE BT LAMP IS AVAILABLE IN A WARM WHITE 2700K AND 3000K. 4000K IS AVAILABLE ON CUSTOM REQUEST

INSTALLATION

RECESSED DOWNLIGHT. 76MM CUT

POWER SUPPLY

24V LED FLEX & PLUG DRIVE

Flux out: 584.9 lm

