

DOWNLIGHT - MODULATED CLICK SPOT SERIES - SEMI TRIMLESS - A SPOT

DESCRIPTION : MODULATED DOWNLIGHT SYSTEM WITH CONE Baffle

CODES : 4638

COLOURS : WHITE, BLACK

COLOUR TEMPERATURE : 2700K

CRI : 92

LUMENS : 500lm

INPUT VOLTAGE : 220-250V AC

WATTAGE : 9.5W

BEAM ANGLE : 60°, 38°, 24°, 15°, 7°

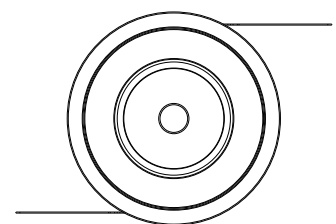
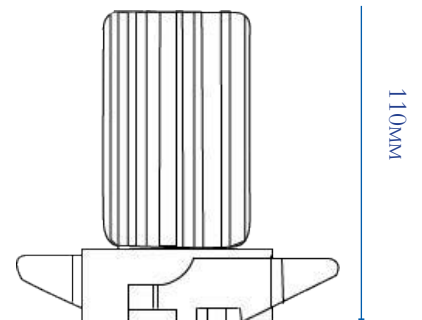
DIMMABLE : YES

PHASE, AUTOMATION, DALI

DRIVER : INCORPORATED

IP RATING : IP20

CUT OUT : 76mm



85MM

110MM



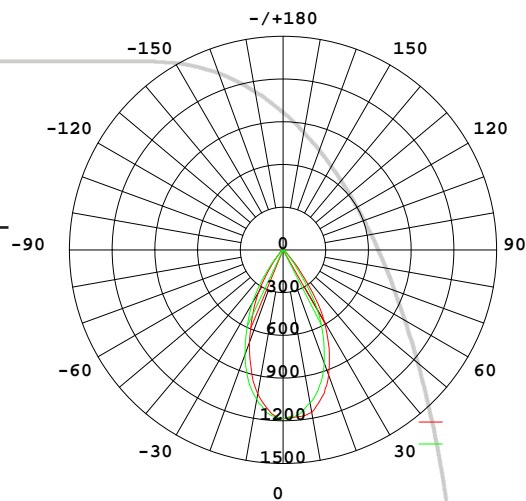
PHOTOMETRY

MODEL DOWNLIGHT MODULATED SERIES - CLICK SPOT A - SEMI TRIMLESS

NOMINAL POWER	10W	LIGHT OUTPUT RATIO	100%
RATED VOLTAGE	240V DC	CIE CLASS	DIRECT
NOMINAL FLUX	915.303 LM	Up	0.2%
LAMPS INSIDE	1	DOWN	99.8%
IMAX	1190 CD	EFFICIENCY	81.59 LM/W

CANDELA DISTRIBUTION

VERTICAL ANGLE	HORIZONTAL ANGLE									ZONAL LUMENS
	0°	45°	90°	135°	180°	225°	270°	315°		
10	1158	1123	1091	1058	1025	1027	1066	1129	108	
20	933.7	911.6	845.6	739.3	691.7	696.7	783.4	883.6	376.5	
30	579.1	572.7	480.4	386.8	350	369.5	435	524.1	665.3	
40	162.8	139.6	104.4	82.99	81.34	93.97	109.6	160.1	829.1	
50	33.99	34.28	32.50	31	30.05	30.15	31.30	33.05	871.9	
60	17.37	17.19	17.45	17.27	16.76	17.02	17.33	17.57	893.3	
70	9.354	9.597	10.01	10.06	9.324	9.571	9.580	9.055	905.9	
80	3.972	3.816	3.605	3.381	2.441	2.447	2.785	3.049	912.4	
90	0.0026	0.0020	0	0	0	0	0	0	913.6	
100	0	0	0	0	0	0	0	0	913.6	
110	0	0	0	0	0	0	0	0	913.6	
120	0	0	0	0	0	0	0	0	913.6	
130	0	0	0	0	0.0003	0.1598	0	0.3370	913.6	
140	0.0789	0.0792	0	0.1598	0.6323	0.6605	0.2919	0.4625	913.7	
150	0.6327	0.0792	0.9575	0.9552	1.109	0.9615	0.9592	0.7241	914.1	
160	1.710	1.735	1.354	1.525	1.350	1.393	1.490	1.276	914.6	
170	3.049	2.867	1.519	1.844	1.395	1.839	1.735	1.806	915.1	
180	1.980	1.900	1.759	1.846	1.426	1.900	1.918	1.927	915.3	



AVERAGE BEAM ANGLE UNIT: CD
 (50%): 52.2°
 — C0 180°, 52.2°
 — C90 270°, 52.3°

VERTICAL ANGLE	HORIZONTAL ANGLE	
	0	90
85	751	577
80	899	816
75	1001	986
70	1075	1151
65	1076	1153
60	1366	1373
55	1640	1636
50	2079	1988
45	3136	2603

COEFFICIENTS OF UTILISATION (%)

CEILING	80%			70%			50%			30%			10%			0
	50%	30%	10%	50%	30%	10%	50%	30%	10%	50%	30%	10%	50%	30%	10%	
FLOOR	20%			20%			20%			20%			20%			0
RCR 0	1.19	1.19	1.19	1.16	1.16	1.16	1.11	1.11	1.11	1.06	1.06	1.06	1.02	1.02	1.02	.00
1	1.11	1.08	1.06	1.08	1.06	1.04	1.04	1.03	1.01	1.01	.99	.98	.97	.96	.95	.93
2	1.03	.99	.95	1.01	.97	.94	.98	.95	.92	.95	.92	.90	.92	.90	.88	.87
3	.96	.91	.87	.94	.90	.86	.92	.88	.85	.89	.86	.83	.87	.84	.82	.81
4	.90	.84	.80	.88	.83	.79	.86	.82	.78	.84	.80	.77	.82	.79	.76	.75
5	.84	.78	.74	.83	.77	.73	.81	.76	.73	.79	.75	.72	.78	.74	.71	.70
6	.79	.73	.68	.78	.72	.68	.76	.71	.68	.75	.71	.67	.74	.70	.67	.65
7	.74	.68	.64	.73	.68	.64	.72	.67	.63	.71	.66	.63	.70	.66	.63	.61
8	.70	.64	.60	.69	.64	.60	.68	.63	.59	.67	.63	.59	.66	.62	.59	.58
9	.66	.60	.56	.66	.60	.56	.65	.59	.56	.64	.59	.56	.63	.59	.55	.54
10	.63	.57	.53	.62	.57	.53	.61	.56	.53	.60	.56	.53	.60	.55	.52	.51

BODY

MODULATED DOWNLIGHT SYSTEM WITH SMALL TRIM ALLOWING INTERCHANGABLE BODY AND HOUSINGS.

LAMP

BRIGHTTEK LED LAMP WITH DIMMABLE A 36V 250m LED DRIVER. THE BT LAMP IS AVAILABLE IN A WARM WHITE 2700K AND 3000K. 4000K IS AVAILABLE ON CUSTOM REQUEST

INSTALLATION

RECESSED DOWNLIGHT. 76MM CUT

POWER SUPPLY

24V LED FLEX & PLUG DRIVE

Flux out: 584.9 lm

