

DOWNLIGHT - LOW GLARE TILT ROUND

DESCRIPTION : INTERNAL LOW GLARE 30 DEGREE TILT DOWNLIGHT

CODE : 3023

COLOURS :

TRIM : WHITE OR BLACK

BODY : WHITE OR BLACK

COLOUR TEMPERATURE : 2700K, 3000K

CRI : 92

LUMENS : 580lm

INPUT VOLTAGE : 220-250V_AC

WATTAGE : 9.5W

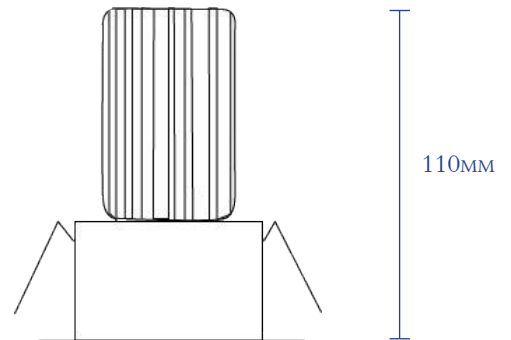
BEAM ANGLE : 60°, 38°, 24°, 15°, 7°

DIMMABLE : YES
PHASE, AUTOMATION, DALI

DRIVER : INCORPORATED

IP RATING : IP20

CUT OUT : 89mm

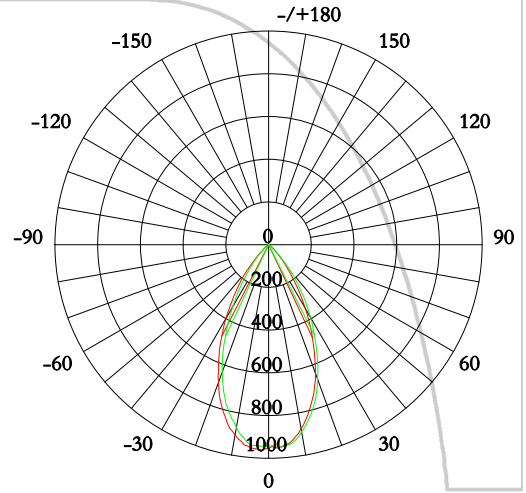


PHOTOMETRY

MODEL **LOW GLARE TILT DOWNLIGHT WITH BT LED v6.8 LAMP**

NOMINAL POWER	9.5W	LIGHT OUTPUT RATIO	100%
RATED VOLTAGE	240V	CIE CLASS	DIRECT
NOMINAL FLUX	762.63 LM	UP	0.1%
LAMPS INSIDE	1	DOWN	99.9%
IMAX	961.2 CD	EFFICIENCY	80.20 LM/W

CANDELA DISTRIBUTION



AVERAGE BEAM ANGLE UNIT: CD
(50%): 52.2°
— C0 180°, 52.4°
— C90 270°, 52.1°

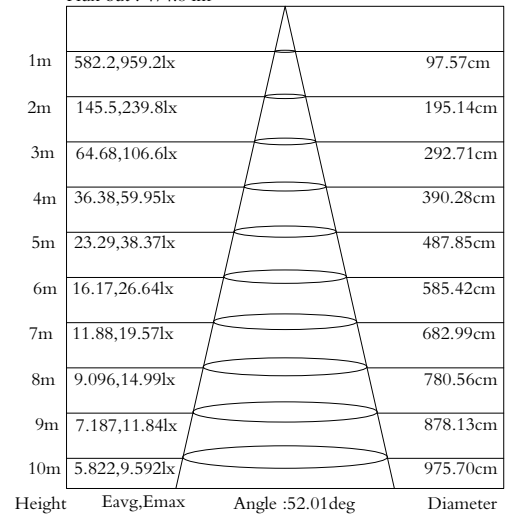
VERTICAL ANGLE	HORIZONTAL ANGLE									ZONAL LUMENS
	0°	45°	90°	135°	180°	225°	270°	315°		
10	874.6	869.8	889.0	910.6	903.4	880.9	868.1	873.3	88.14	
20	642.0	651.6	670.3	688.0	685.9	664.4	636.9	623.0	306.3	
30	344.5	372.7	396.5	402.9	400.5	371.4	337.4	323.5	539.3	
40	119.1	143.3	158.9	137.0	157.9	138.2	114.9	109.8	690.0	
50	28.31	23.87	22.48	21.02	21.31	21.61	25.16	27.12	740.1	
60	12.20	9.888	8.162	6.467	6.803	8.035	9.791	10.81	753.8	
70	5.147	3.866	2.539	2.309	1.503	2.602	3.876	5.090	759.1	
80	2.693	1.743	0.8730	0.9571	0.0791	0.6308	1.661	2.543	761.7	
90	0.0007	0	0	0	0	0	0	0	762.2	
100	0	0	0	0	0	0	0	0	762.2	
110	0	0	0	0	0	0	0	0	762.2	
120	0	0	0	0	0	0	0	0	762.2	
130	0	0	0	0	0	0	0	0	762.2	
140	0	0	0	0	0	0	0	0	762.2	
150	0	0	0	0	0.3966	0.3158	0.3955	0.3978	762.3	
160	0.1583	0.2353	0.1582	0.1577	0.6331	0.7098	0.7118	0.6365	762.4	
170	0.6297	0.6255	0.5518	0.4799	0.6331	0.7098	0.7118	0.6365	762.6	
180	0.7122	0.7912	0.8700	0.7161	0.6331	0.7098	0.7118	0.6365	762.6	

VERTICAL ANGLE	HORIZONTAL ANGLE	
	0	90
85	573	37
80	610	198
75	626	265
70	592	292
65	671	318
60	959	642
55	1270	949
50	1732	1375
45	3441	3736

COEFFICIENTS OF UTILISATION (%)

CEILING	80%			70%			50%			30%			10%			0
	50%	30%	10%	50%	30%	10%	50%	30%	10%	50%	30%	10%	50%	30%	10%	0
FLOOR	20%			20%			20%			20%			20%			0
RCR 0	1.19	1.19	1.19	1.16	1.16	1.16	1.11	1.11	1.11	1.06	1.06	1.06	1.02	1.02	1.02	.00
1	1.11	1.08	1.06	1.08	1.06	1.04	1.04	1.03	1.01	1.01	.99	.98	.97	.96	.95	.93
2	1.03	.99	.95	1.01	.97	.94	.98	.95	.92	.95	.92	.90	.92	.90	.88	.87
3	.96	.91	.87	.94	.90	.86	.92	.88	.85	.89	.86	.83	.87	.84	.82	.81
4	.90	.84	.80	.88	.83	.79	.86	.82	.78	.84	.80	.77	.82	.79	.76	.75
5	.84	.78	.74	.83	.77	.73	.81	.76	.73	.79	.75	.72	.78	.74	.71	.70
6	.79	.73	.68	.78	.72	.68	.76	.71	.68	.75	.71	.67	.74	.70	.67	.65
7	.74	.68	.64	.73	.68	.64	.72	.67	.63	.71	.66	.63	.70	.66	.63	.61
8	.70	.64	.60	.69	.64	.60	.68	.63	.59	.67	.63	.59	.66	.62	.59	.58
9	.66	.60	.56	.66	.60	.56	.65	.59	.56	.64	.59	.56	.63	.59	.55	.54
10	.63	.57	.53	.62	.57	.53	.61	.56	.53	.60	.56	.53	.60	.55	.52	.51

Flux out : 474.8 lm



BODY

THE LOW GLARE TILT DOWNLIGHT WITH HEAVY DUTY PLASTIC BODY AVAILABLE IN WHITE OR BLACK. THE FACEPLATE IS POWDERCOATED AND IS ALSO AVAILABLE IN COPPER OR STAINLESS STEEL.

LAMP

BRIGHTTEK LED LAMP WITH DIMMABLE A 36V 250h LED DRIVER. THE BT LAMP IS AVAILABLE IN A WARM WHITE 2700K AND 3000K. 4000K IS AVAILABLE ON CUSTOM REQUEST.

INSTALLATION

RECESSED DOWNLIGHT.

POWER SUPPLY

24V LED FLEX & PLUG DRIVER

