

DOWNLIGHT – LOW GLARE SQUARE

DESCRIPTION : INTERNAL LOW GLARE 30 DEGREE TILT DOWNLIGHT

CODE : 2520

COLOURS :

TRIM : WHITE OR BLACK

BODY : WHITE OR BLACK

COLOUR TEMPERATURE : 2700K

CRI : 92

LUMENS : 580lm

INPUT VOLTAGE : 240V

WATTAGE : 9.5W

BEAM ANGLE : 60°, 38°, 24°, 15°, 7°

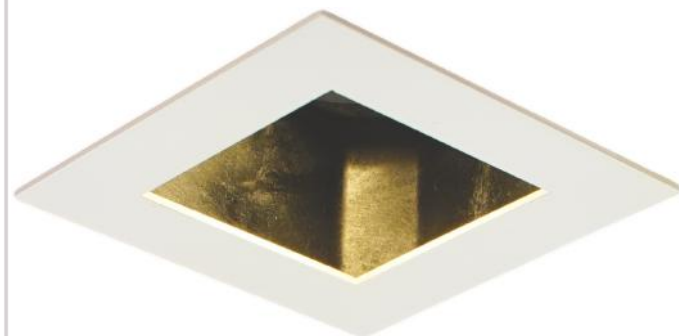
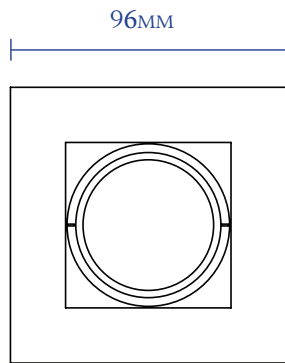
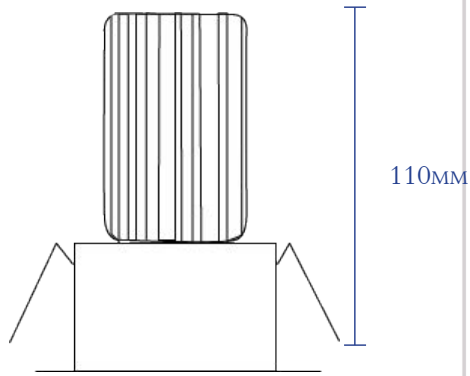
DIMMABLE : YES
PHASE, AUTOMATION, DALI

DRIVER : INCORPORATED

IP RATING : IP20

CUT OUT : 89mm*

*CUT OUT IS ROUND



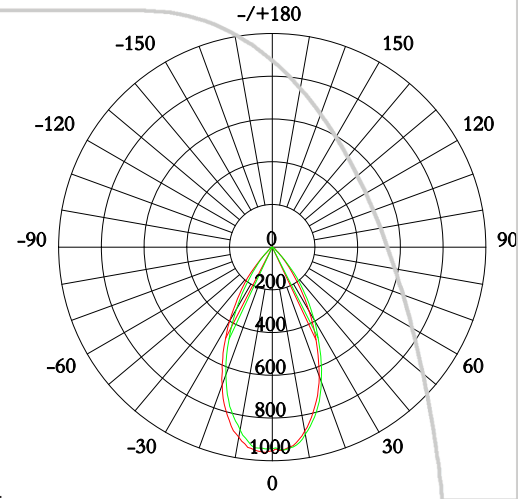
PHOTOMETRY

MODEL LOW GLARE TILT DOWNLIGHT WITH BT LED v6.8 LAMP

| | | | |
|---------------|-----------|--------------------|------------|
| NOMINAL POWER | 9.5W | LIGHT OUTPUT RATIO | 100% |
| RATED VOLTAGE | 240V | CIE CLASS | DIRECT |
| NOMINAL FLUX | 762.63 LM | UP | 0.1% |
| LAMPS INSIDE | 1 | DOWN | 99.9% |
| IMAX | 961.2 CD | EFFICIENCY | 80.20 LM/W |

CANDELA DISTRIBUTION

| VERTICAL ANGLE | HORIZONTAL ANGLE | | | | | | | | ZONAL LUMENS |
|----------------|------------------|--------|--------|--------|--------|--------|--------|--------|--------------|
| | 0° | 45° | 90° | 135° | 180° | 225° | 270° | 315° | |
| 10 | 874.6 | 869.8 | 889.0 | 910.6 | 903.4 | 880.9 | 868.1 | 873.3 | 88.14 |
| 20 | 642.0 | 651.6 | 670.3 | 688.0 | 685.9 | 664.4 | 636.9 | 623.0 | 306.3 |
| 30 | 344.5 | 372.7 | 396.5 | 402.9 | 400.5 | 371.4 | 337.4 | 323.5 | 539.3 |
| 40 | 119.1 | 143.3 | 158.9 | 137.0 | 157.9 | 138.2 | 114.9 | 109.8 | 690.0 |
| 50 | 28.31 | 23.87 | 22.48 | 21.02 | 21.31 | 21.61 | 25.16 | 27.12 | 740.1 |
| 60 | 12.20 | 9.888 | 8.162 | 6.467 | 6.803 | 8.035 | 9.791 | 10.81 | 753.8 |
| 70 | 5.147 | 3.866 | 2.539 | 2.309 | 1.503 | 2.602 | 3.876 | 5.090 | 759.1 |
| 80 | 2.693 | 1.743 | 0.8730 | 0.9571 | 0.0791 | 0.6308 | 1.661 | 2.543 | 761.7 |
| 90 | 0.0007 | 0 | 0 | 0 | 0 | 0 | 0 | 0 | 762.2 |
| 100 | 0 | 0 | 0 | 0 | 0 | 0 | 0 | 0 | 762.2 |
| 110 | 0 | 0 | 0 | 0 | 0 | 0 | 0 | 0 | 762.2 |
| 120 | 0 | 0 | 0 | 0 | 0 | 0 | 0 | 0 | 762.2 |
| 130 | 0 | 0 | 0 | 0 | 0 | 0 | 0 | 0 | 762.2 |
| 140 | 0 | 0 | 0 | 0 | 0 | 0 | 0 | 0 | 762.2 |
| 150 | 0 | 0 | 0 | 0 | 0.3966 | 0.3158 | 0.3955 | 0.3978 | 762.3 |
| 160 | 0.1583 | 0.2353 | 0.1582 | 0.1577 | 0.6331 | 0.7098 | 0.7118 | 0.6355 | 762.4 |
| 170 | 0.6297 | 0.6255 | 0.5518 | 0.4799 | 0.6331 | 0.7098 | 0.7118 | 0.6355 | 762.6 |
| 180 | 0.7122 | 0.7912 | 0.8700 | 0.7161 | 0.6331 | 0.7098 | 0.7118 | 0.6355 | 762.6 |



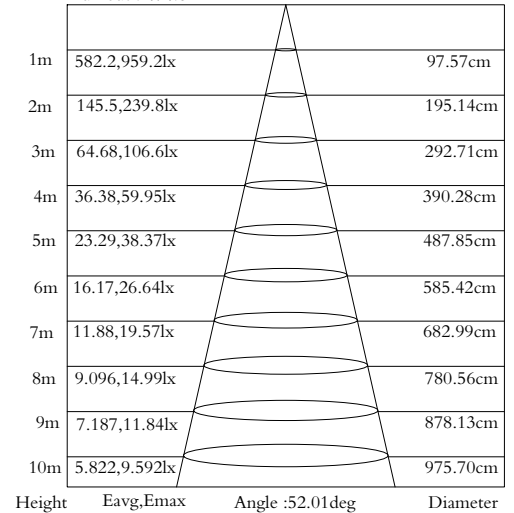
AVERAGE BEAM ANGLE UNIT: CD
 (50%): 52.2°
 — C0 180°, 52.4°
 — C90 270°, 52.1°

| VERTICAL ANGLE | HORIZONTAL ANGLE | |
|----------------|------------------|------|
| | 0 | 90 |
| 85 | 573 | 37 |
| 80 | 610 | 198 |
| 75 | 626 | 265 |
| 70 | 592 | 292 |
| 65 | 671 | 318 |
| 60 | 959 | 642 |
| 55 | 1270 | 949 |
| 50 | 1732 | 1375 |
| 45 | 3441 | 3736 |

COEFFICIENTS OF UTILISATION (%)

| CEILING | 80% | | | 70% | | | 50% | | | 30% | | | 10% | | | 0 |
|---------|------|------|------|------|------|------|------|------|------|------|------|------|------|------|------|-----|
| | 50% | 30% | 10% | 50% | 30% | 10% | 50% | 30% | 10% | 50% | 30% | 10% | 50% | 30% | 10% | |
| WALL | 20% | | | | | | | | | | | | | | | 0 |
| FLOOR | 20% | | | | | | | | | | | | | | | 0 |
| RCR 0 | 1.19 | 1.19 | 1.19 | 1.16 | 1.16 | 1.16 | 1.11 | 1.11 | 1.11 | 1.06 | 1.06 | 1.06 | 1.02 | 1.02 | 1.02 | .00 |
| 1 | 1.11 | 1.08 | 1.06 | 1.08 | 1.06 | 1.04 | 1.04 | 1.03 | 1.01 | 1.01 | .99 | .98 | .97 | .96 | .95 | .93 |
| 2 | 1.03 | .99 | .95 | 1.01 | .97 | .94 | .98 | .95 | .92 | .95 | .92 | .90 | .92 | .90 | .88 | .87 |
| 3 | .96 | .91 | .87 | .94 | .90 | .86 | .92 | .88 | .85 | .89 | .86 | .83 | .87 | .84 | .82 | .81 |
| 4 | .90 | .84 | .80 | .88 | .83 | .79 | .86 | .82 | .78 | .84 | .80 | .77 | .82 | .79 | .76 | .75 |
| 5 | .84 | .78 | .74 | .83 | .77 | .73 | .81 | .76 | .73 | .79 | .75 | .72 | .78 | .74 | .71 | .70 |
| 6 | .79 | .73 | .68 | .78 | .72 | .68 | .76 | .71 | .68 | .75 | .71 | .67 | .74 | .70 | .67 | .65 |
| 7 | .74 | .68 | .64 | .73 | .68 | .64 | .72 | .67 | .63 | .71 | .66 | .63 | .70 | .66 | .63 | .61 |
| 8 | .70 | .64 | .60 | .69 | .64 | .60 | .68 | .63 | .59 | .67 | .63 | .59 | .66 | .62 | .59 | .58 |
| 9 | .66 | .60 | .56 | .66 | .60 | .56 | .65 | .59 | .56 | .64 | .59 | .56 | .63 | .59 | .55 | .54 |
| 10 | .63 | .57 | .53 | .62 | .57 | .53 | .61 | .56 | .53 | .60 | .56 | .53 | .60 | .55 | .52 | .51 |

Flux out : 474.8 lm



BODY

THE LOW GLARE TILT DOWNLIGHT WITH HEAVY DUTY PLASTIC BODY AVAILABLE IN WHITE OR BLACK. THE FACEPLATE IS POWDERCOATED AND IS ALSO AVAILABLE IN COPPER OR STAINLESS STEEL.

LAMP

BRIGHTTEK LED LAMP WITH DIMMABLE A 36V 250n LED DRIVER. THE BT LAMP IS AVAILABLE IN A WARM WHITE 2700K AND 3000K. 4000K IS AVAILABLE ON CUSTOM REQUEST.

INSTALLATION

RECESSED DOWNLIGHT.

POWER SUPPLY

24V LED FLEX & PLUG DRIVE

WEIGHT

200G

