



DOWNLIGHT – TRIMLESS ADJUSTABLE

DESCRIPTION : LOW GLARE ADJUSTABLE LED DOWNLIGHT WITH NO TRIM, TO BE SET INTO PLASTER BOARD CEILING

CODES : 4363

COLOURS : WHITE

COLOUR TEMPERATURE : 2700K, 3000K

CRI : 92

LUMENS : 580lm

INPUT VOLTAGE : 240V

WATTAGE : 9.5W

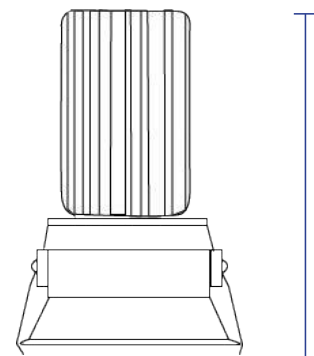
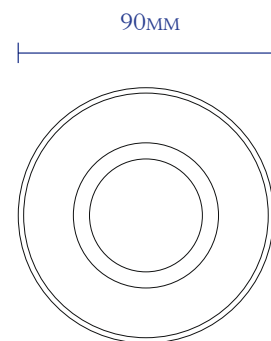
BEAM ANGLE : 60°, 38°, 24°, 15°, 7°

DIMMABLE : YES
PHASE, AUTOMATION, DALI

DRIVER : INCORPORATED

IP RATING : IP20

CUT OUT : 89mm



110MM



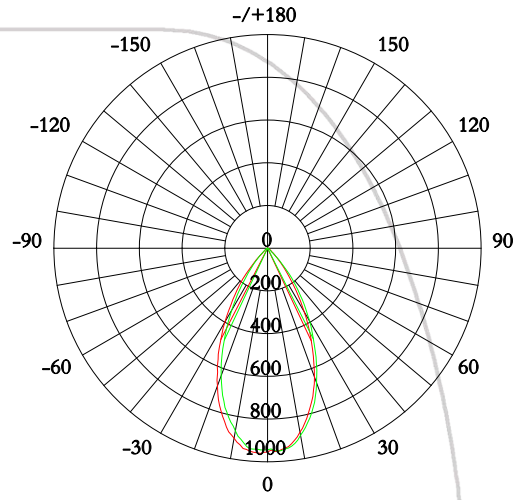
PHOTOMETRY

MODEL TRIMLESS DOWNLIGHT WITH BT LED v6.8 LAMP

| | | | |
|---------------|-----------|--------------------|------------|
| NOMINAL POWER | 9.5W | LIGHT OUTPUT RATIO | 100% |
| RATED VOLTAGE | 24V DC | CIE CLASS | DIRECT |
| NOMINAL FLUX | 762.63 LM | UP | 0.1% |
| LAMPS INSIDE | 1 | DOWN | 99.9% |
| IMAX | 961.2 CD | EFFICIENCY | 80.20 LM/W |

CANDELA DISTRIBUTION

| VERTICAL ANGLE | HORIZONTAL ANGLE | | | | | | | | | ZONAL LUMENS |
|----------------|------------------|--------|--------|--------|--------|--------|--------|--------|-------|--------------|
| | 0° | 45° | 90° | 135° | 180° | 225° | 270° | 315° | | |
| 10 | 874.6 | 869.8 | 889.0 | 910.6 | 903.4 | 880.9 | 868.1 | 873.3 | 88.14 | |
| 20 | 642.0 | 651.6 | 670.3 | 688.0 | 685.9 | 664.4 | 636.9 | 623.0 | 306.3 | |
| 30 | 344.5 | 372.7 | 396.5 | 402.9 | 400.5 | 371.4 | 337.4 | 323.5 | 539.3 | |
| 40 | 119.1 | 143.3 | 158.9 | 137.0 | 157.9 | 138.2 | 114.9 | 109.8 | 690.0 | |
| 50 | 28.31 | 23.87 | 22.48 | 21.02 | 21.31 | 21.61 | 25.16 | 27.12 | 740.1 | |
| 60 | 12.20 | 9.888 | 8.162 | 6.467 | 6.803 | 8.035 | 9.791 | 10.81 | 753.8 | |
| 70 | 5.147 | 3.866 | 2.539 | 2.309 | 1.503 | 2.602 | 3.876 | 5.090 | 759.1 | |
| 80 | 2.693 | 1.743 | 0.8730 | 0.9571 | 0.0791 | 0.6308 | 1.661 | 2.543 | 761.7 | |
| 90 | 0.0007 | 0 | 0 | 0 | 0 | 0 | 0 | 0 | 762.2 | |
| 100 | 0 | 0 | 0 | 0 | 0 | 0 | 0 | 0 | 762.2 | |
| 110 | 0 | 0 | 0 | 0 | 0 | 0 | 0 | 0 | 762.2 | |
| 120 | 0 | 0 | 0 | 0 | 0 | 0 | 0 | 0 | 762.2 | |
| 130 | 0 | 0 | 0 | 0 | 0 | 0 | 0 | 0 | 762.2 | |
| 140 | 0 | 0 | 0 | 0 | 0 | 0 | 0 | 0 | 762.2 | |
| 150 | 0 | 0 | 0 | 0 | 0.3966 | 0.3158 | 0.3955 | 0.3978 | 762.3 | |
| 160 | 0.1583 | 0.2353 | 0.1582 | 0.1577 | 0.6331 | 0.7098 | 0.7118 | 0.6365 | 762.4 | |
| 170 | 0.6297 | 0.6255 | 0.5518 | 0.4799 | 0.6331 | 0.7098 | 0.7118 | 0.6365 | 762.6 | |
| 180 | 0.7122 | 0.7912 | 0.8700 | 0.7161 | 0.6331 | 0.7098 | 0.7118 | 0.6365 | 762.6 | |



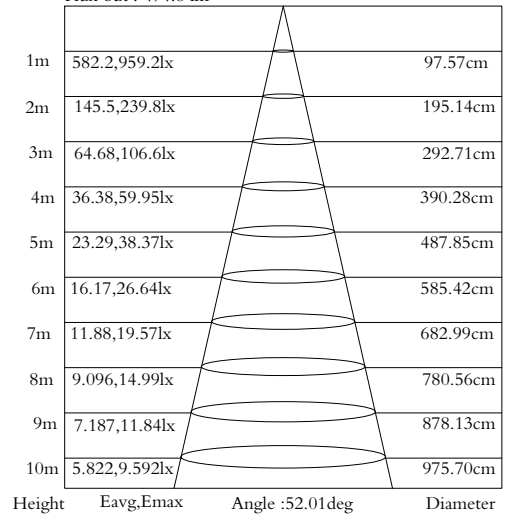
AVERAGE BEAM ANGLE UNIT: CD
 (50%): 52.2°
 — C0 180°, 52.4°
 — C90 270°, 52.1°

| VERTICAL ANGLE | HORIZONTAL ANGLE | |
|----------------|------------------|------|
| | 0 | 90 |
| 85 | 573 | 37 |
| 80 | 610 | 198 |
| 75 | 626 | 265 |
| 70 | 592 | 292 |
| 65 | 671 | 318 |
| 60 | 959 | 642 |
| 55 | 1270 | 949 |
| 50 | 1732 | 1375 |
| 45 | 3441 | 3736 |

COEFFICIENTS OF UTILISATION (%)

| CEILING | 80% | | | 70% | | | 50% | | | 30% | | | 10% | | | 0 | |
|---------|------|------|------|------|------|------|------|------|------|------|------|------|------|------|------|------|-----|
| | 50% | 30% | 10% | 50% | 30% | 10% | 50% | 30% | 10% | 50% | 30% | 10% | 50% | 30% | 10% | | |
| FLOOR | 20% | | | 20% | | | 20% | | | 20% | | | 20% | | | 0 | |
| RCR | 0 | 1.19 | 1.19 | 1.19 | 1.16 | 1.16 | 1.16 | 1.11 | 1.11 | 1.11 | 1.06 | 1.06 | 1.06 | 1.02 | 1.02 | 1.02 | .00 |
| 1 | 1.11 | 1.08 | 1.06 | 1.08 | 1.06 | 1.04 | 1.04 | 1.03 | 1.01 | 1.01 | .99 | .98 | .97 | .96 | .95 | .93 | |
| 2 | 1.03 | .99 | .95 | 1.01 | .97 | .94 | .98 | .95 | .92 | .95 | .92 | .90 | .92 | .90 | .88 | .87 | |
| 3 | .96 | .91 | .87 | .94 | .90 | .86 | .92 | .88 | .85 | .89 | .86 | .83 | .87 | .84 | .82 | .81 | |
| 4 | .90 | .84 | .80 | .88 | .83 | .79 | .86 | .82 | .78 | .84 | .80 | .77 | .82 | .79 | .76 | .75 | |
| 5 | .84 | .78 | .74 | .83 | .77 | .73 | .81 | .76 | .73 | .79 | .75 | .72 | .78 | .74 | .71 | .70 | |
| 6 | .79 | .73 | .68 | .78 | .72 | .68 | .76 | .71 | .68 | .75 | .71 | .67 | .74 | .70 | .67 | .65 | |
| 7 | .74 | .68 | .64 | .73 | .68 | .64 | .72 | .67 | .63 | .71 | .66 | .63 | .70 | .66 | .63 | .61 | |
| 8 | .70 | .64 | .60 | .69 | .64 | .60 | .68 | .63 | .59 | .67 | .63 | .59 | .66 | .62 | .59 | .58 | |
| 9 | .66 | .60 | .56 | .66 | .60 | .56 | .65 | .59 | .56 | .64 | .59 | .56 | .63 | .59 | .55 | .54 | |
| 10 | .63 | .57 | .53 | .62 | .57 | .53 | .61 | .56 | .53 | .60 | .56 | .53 | .60 | .55 | .52 | .51 | |

Flux out : 474.8 lm



BODY

A SOLID ALUMINIUM BODY WITH A DURABLE MATTE POWDER COAT. THE WIDE COMICAL SHAPE OF THE BODY IS DESIGNED TO MAXIMIZE THE 60° BEAM ANGLE OF OUR CUSTOM MADE BT LED LAMP. THE BODY IS FULLY ADJUSTABLE AND HAS A TRIMLESS PLASTER FLANGE TO GIVE A SEAMLESS FINISH.

LAMP

BRIGHTTEK LED LAMP WITH DIMMABLE A 36V 250n LED DRIVER. THE BT LAMP IS AVAILABLE IN A WARM WHITE 2700K AND 3000K. 4000K IS AVAILABLE ON CUSTOM REQUEST.

INSTALLATION

RECESSED DOWNLIGHT. 89MM CUT

POWER SUPPLY

24V LED FLEX & PLUG DRIVER

WEIGHT

360G

