



DOWNLIGHT – TRIMLESS ADJUSTABLE

DESCRIPTION : LOW GLARE ADJUSTABLE LED DOWNLIGHT WITH NO TRIM, TO BE SET INTO PLASTER BOARD CEILING

CODES : 4363

COLOURS : WHITE

COLOUR TEMPERATURE : 2700K, 3000K

CRI : 92

LUMENS : 580lm

INPUT VOLTAGE : 220V\_AC

WATTAGE : 9.5W

BEAM ANGLE : 60°, 38°, 24°, 15°, 7°

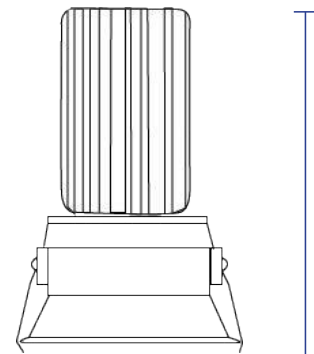
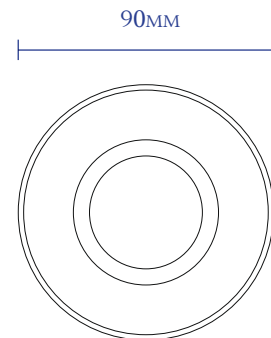
DIMMABLE : YES

PHASE, AUTOMATION, DALI

DRIVER : INCORPORATED

IP RATING : IP20

CUT OUT : 89mm



110MM



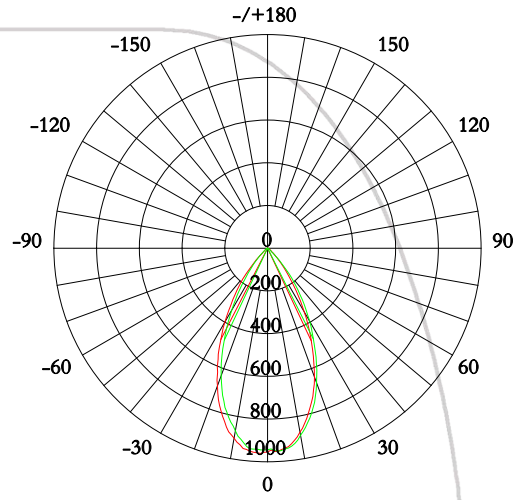
# PHOTOMETRY

MODEL TRIMLESS DOWNLIGHT WITH BT LED v6.8 LAMP

NOMINAL POWER	9.5W	LIGHT OUTPUT RATIO	100%
RATED VOLTAGE	24V DC	CIE CLASS	DIRECT
NOMINAL FLUX	762.63 LM	UP	0.1%
LAMPS INSIDE	1	DOWN	99.9%
IMAX	961.2 CD	EFFICIENCY	80.20 LM/W

## CANDELA DISTRIBUTION

VERTICAL ANGLE	HORIZONTAL ANGLE									ZONAL LUMENS
	0°	45°	90°	135°	180°	225°	270°	315°		
10	874.6	869.8	889.0	910.6	903.4	880.9	868.1	873.3	88.14	
20	642.0	651.6	670.3	688.0	685.9	664.4	636.9	623.0	306.3	
30	344.5	372.7	396.5	402.9	400.5	371.4	337.4	323.5	539.3	
40	119.1	143.3	158.9	137.0	157.9	138.2	114.9	109.8	690.0	
50	28.31	23.87	22.48	21.02	21.31	21.61	25.16	27.12	740.1	
60	12.20	9.888	8.162	6.467	6.803	8,035	9.791	10.81	753.8	
70	5.147	3.866	2.539	2.309	1.503	2,602	3.876	5.090	759.1	
80	2.693	1.743	0.8730	0.9571	0.0791	0,6308	1.661	2.543	761.7	
90	0.0007	0	0	0	0	0	0	0	762.2	
100	0	0	0	0	0	0	0	0	762.2	
110	0	0	0	0	0	0	0	0	762.2	
120	0	0	0	0	0	0	0	0	762.2	
130	0	0	0	0	0	0	0	0	762.2	
140	0	0	0	0	0	0	0	0	762.2	
150	0	0	0	0	0.3966	0.3158	0.3955	0.3978	762.3	
160	0.1583	0.2353	0.1582	0.1577	0.6331	0.7098	0.7118	0.6365	762.4	
170	0.6297	0.6255	0.5518	0.4799	0.6331	0.7098	0.7118	0.6365	762.6	
180	0.7122	0.7912	0.8700	0.7161	0.6331	0.7098	0.7118	0.6365	762.6	



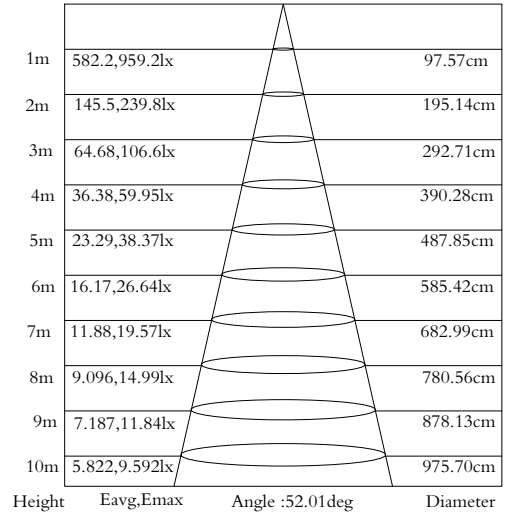
AVERAGE BEAM ANGLE UNIT: CD  
 (50%): 52.2°  
 — C0 180°, 52.4°  
 — C90 270°, 52.1°

VERTICAL ANGLE	HORIZONTAL ANGLE	
	0	90
85	573	37
80	610	198
75	626	265
70	592	292
65	671	318
60	959	642
55	1270	949
50	1732	1375
45	3441	3736

## COEFFICIENTS OF UTILISATION (%)

CEILING	80%			70%			50%			30%			10%			0
	50%	30%	10%	50%	30%	10%	50%	30%	10%	50%	30%	10%	50%	30%	10%	
WALL	20%															0
FLOOR	20%															0
RCR 0	1.19	1.19	1.19	1.16	1.16	1.16	1.11	1.11	1.11	1.06	1.06	1.06	1.02	1.02	1.02	.00
1	1.11	1.08	1.06	1.08	1.06	1.04	1.04	1.03	1.01	1.01	.99	.98	.97	.96	.95	.93
2	1.03	.99	.95	1.01	.97	.94	.98	.95	.92	.95	.92	.90	.92	.90	.88	.87
3	.96	.91	.87	.94	.90	.86	.92	.88	.85	.89	.86	.83	.87	.84	.82	.81
4	.90	.84	.80	.88	.83	.79	.86	.82	.78	.84	.80	.77	.82	.79	.76	.75
5	.84	.78	.74	.83	.77	.73	.81	.76	.73	.79	.75	.72	.78	.74	.71	.70
6	.79	.73	.68	.78	.72	.68	.76	.71	.68	.75	.71	.67	.74	.70	.67	.65
7	.74	.68	.64	.73	.68	.64	.72	.67	.63	.71	.66	.63	.70	.66	.63	.61
8	.70	.64	.60	.69	.64	.60	.68	.63	.59	.67	.63	.59	.66	.62	.59	.58
9	.66	.60	.56	.66	.60	.56	.65	.59	.56	.64	.59	.56	.63	.59	.55	.54
10	.63	.57	.53	.62	.57	.53	.61	.56	.53	.60	.56	.53	.60	.55	.52	.51

Flux out : 474.8 lm



## BODY

A SOLID ALUMINIUM BODY WITH A DURABLE MATTE POWDER COAT. THE WIDE COMICAL SHAPE OF THE BODY IS DESIGNED TO MAXIMIZE THE 60° BEAM ANGLE OF OUR CUSTOM MADE BT LED LAMP. THE BODY IS FULLY ADJUSTABLE AND HAS A TRIMLESS PLASTER FLANGE TO GIVE A SEAMLESS FINISH.

## LAMP

BRIGHTTEK LED LAMP WITH DIMMABLE A 36V 250m LED DRIVER. THE BT LAMP IS AVAILABLE IN A WARM WHITE 2700K AND 3000K. 4000K IS AVAILABLE ON CUSTOM REQUEST.

## INSTALLATION

RECESSED DOWNLIGHT. 89MM CUT

## POWER SUPPLY

24V LED FLEX & PLUG DRIVER

## WEIGHT

360G

