

PANORAMA - VAUCLUSE SQUARE

DESCRIPTION : LOW GLARE 30 DEGREEE TILT DOWNLIGHT

CODE : 2712

COLOURS : STAINLESS STEEL, COPPER, WHITE, BLACK COLOUR

TEMPERATURE : 2700K, 3000K

CRI : 92

LUMENS : 580lm

INPUT VOLTAGE : 240V

WATTAGE : 9.5W

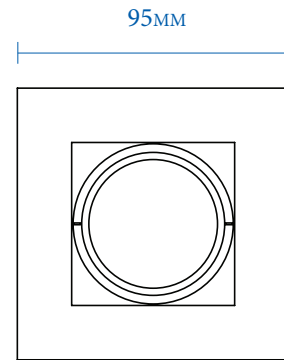
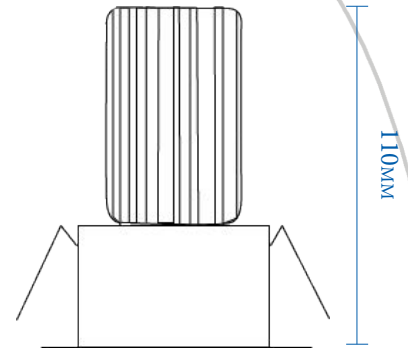
BEAM ANGLE : 60°

DIMMABLE : YES
PHASE, AUTOMATION, DALI

DRIVER : INCOPORATED

IP RATING : IP55

CUT OUT : 89mm



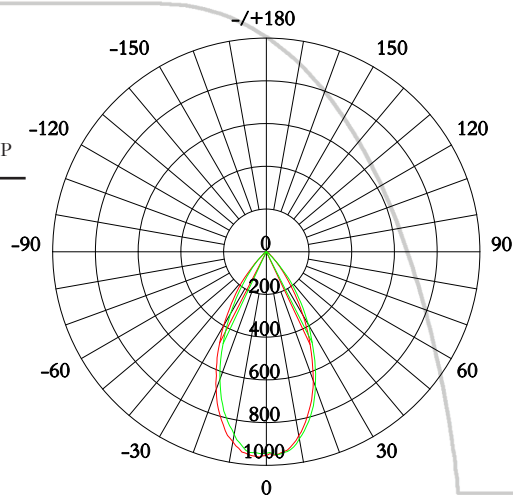
PHOTOMETRY

MODEL PANORAMA VAUCLUSE SQUARE DOWNLIGHT WITH BT LED v6.8 LAMP

NOMINAL POWER	9.5W	LIGHT OUTPUT RATIO	100%
RATED VOLTAGE	240V	CIE CLASS	DIRECT
NOMINAL FLUX	762.63 LM	Up	0.1%
LAMPS INSIDE	1	DOWN	99.9%
IMAX	961.2 CD	EFFICIENCY	80.20 LM/W

CANDELA DISTRIBUTION

VERTICAL ANGLE	HORIZONTAL ANGLE								ZONAL LUMENS
	0°	45°	90°	135°	180°	225°	270°	315°	
10	874.6	869.8	889.0	910.6	903.4	880.9	868.1	873.3	88.14
20	642.0	651.6	670.3	688.0	685.9	664.4	636.9	623.0	306.3
30	344.5	372.7	396.5	402.9	400.5	371.4	337.4	323.5	539.3
40	119.1	143.3	158.9	137.0	157.9	138.2	114.9	109.8	690.0
50	28.31	23.87	22.48	21.02	21.31	21.61	25.16	27.12	740.1
60	12.20	9.888	8.162	6.467	6.803	8.035	9.791	10.81	753.8
70	5.147	3.866	2.539	2.309	1.503	2.602	3.876	5.090	759.1
80	2.693	1.743	0.8730	0.9571	0.0791	0.6308	1.661	2.543	761.7
90	0.0007	0	0	0	0	0	0	0	762.2
100	0	0	0	0	0	0	0	0	762.2
110	0	0	0	0	0	0	0	0	762.2
120	0	0	0	0	0	0	0	0	762.2
130	0	0	0	0	0	0	0	0	762.2
140	0	0	0	0	0	0	0	0	762.2
150	0	0	0	0	0.3966	0.3158	0.3955	0.3978	762.3
160	0.1583	0.2353	0.1582	0.1577	0.6331	0.7098	0.7118	0.6365	762.4
170	0.6297	0.6255	0.5518	0.4799	0.6331	0.7098	0.7118	0.6365	762.6
180	0.7122	0.7912	0.8700	0.7161	0.6331	0.7098	0.7118	0.6365	762.6



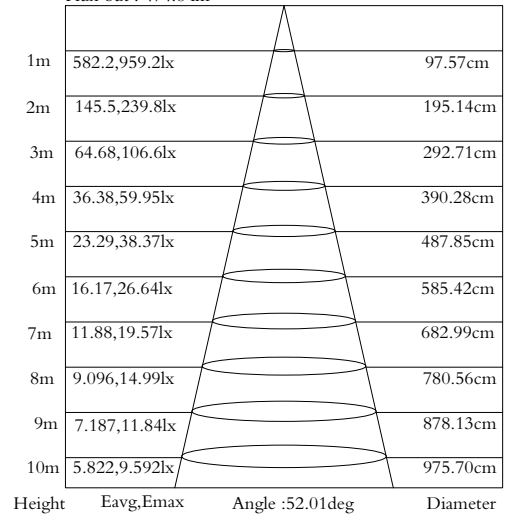
AVERAGE BEAM ANGLE UNIT: CD
 (50%): 52.2°
 — C0 180°, 52.4°
 — C90 270°, 52.1°

VERTICAL ANGLE	HORIZONTAL ANGLE	
	0	90
85	573	37
80	610	198
75	626	265
70	592	292
65	671	318
60	959	642
55	1270	949
50	1732	1375
45	3441	3736

COEFFICIENTS OF UTILISATION (%)

CEILING	80%		70%		50%		30%		10%		0					
	50%	30%	10%	50%	30%	10%	50%	30%	10%	50%	30%	10%				
WALL																
FLOOR																
RCR 0	1.19	1.19	1.19	1.16	1.16	1.16	1.11	1.11	1.11	1.06	1.06	1.06	1.02	1.02	1.02	.00
1	1.11	1.08	1.06	1.08	1.06	1.04	1.04	1.03	1.01	1.01	.99	.98	.97	.96	.95	.93
2	1.03	.99	.95	1.01	.97	.94	.98	.95	.92	.95	.92	.90	.92	.90	.88	.87
3	.96	.91	.87	.94	.90	.86	.92	.88	.85	.89	.86	.83	.87	.84	.82	.81
4	.90	.84	.80	.88	.83	.79	.86	.82	.78	.84	.80	.77	.82	.79	.76	.75
5	.84	.78	.74	.83	.77	.73	.81	.76	.73	.79	.75	.72	.78	.74	.71	.70
6	.79	.73	.68	.78	.72	.68	.76	.71	.68	.75	.71	.67	.74	.70	.67	.65
7	.74	.68	.64	.73	.68	.64	.72	.67	.63	.71	.66	.63	.70	.66	.63	.61
8	.70	.64	.60	.69	.64	.60	.68	.63	.59	.67	.63	.59	.66	.62	.59	.58
9	.66	.60	.56	.66	.60	.56	.65	.59	.56	.64	.59	.56	.63	.59	.55	.54
10	.63	.57	.53	.62	.57	.53	.61	.56	.53	.60	.56	.53	.60	.55	.52	.51

Flux out : 474.8 lm



BODY

THE 316 STAINLESS STEEL FACEPLATE WITH CLEAR LENS MAKE THIS DOWNLIGHT PERFECTLY SUITED TO OUTDOOR AND COSTAL ENVIRONMENTS. INSIDIE THE LAMP HOLDER IS MADE OF A STURDY PLASTIC, MAKING IT IMPERVIOUS TO SALT BREEZES, WHILE THE CLEAR GLASS LENS PREVENTS WATER AND STEAM GETTING INSIDE

LAMP

BRIGHTTEK LED LAMP WITH DIMMABLE 36V 250mA LED DRIVER. THE BT LED LAMP IS AVAILABLE IN A WARM WHITE 2700K OR 3000K. 4000K IS AVAILABLE ON CUSTOM REQUEST

INSTALLATION

RECESSED DOWNLIGHT. 89MM CUT

POWER SUPPLY

24V LED FLEX & PLUG DRIVE

