

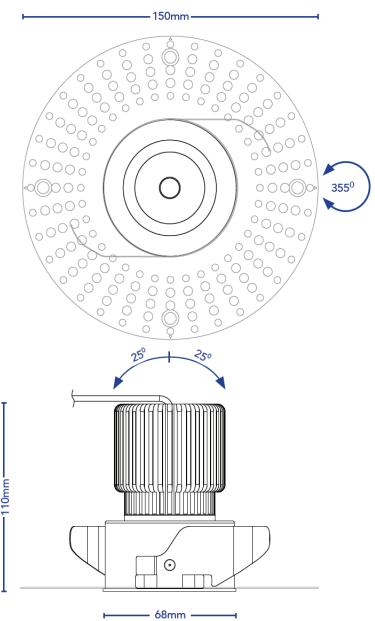
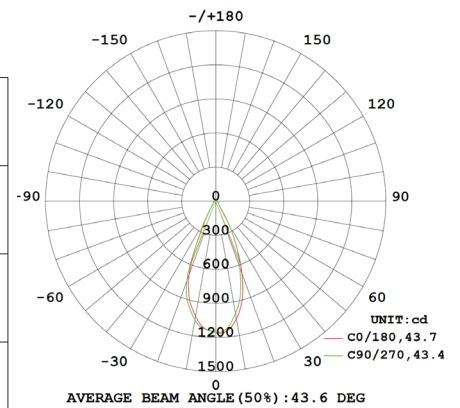
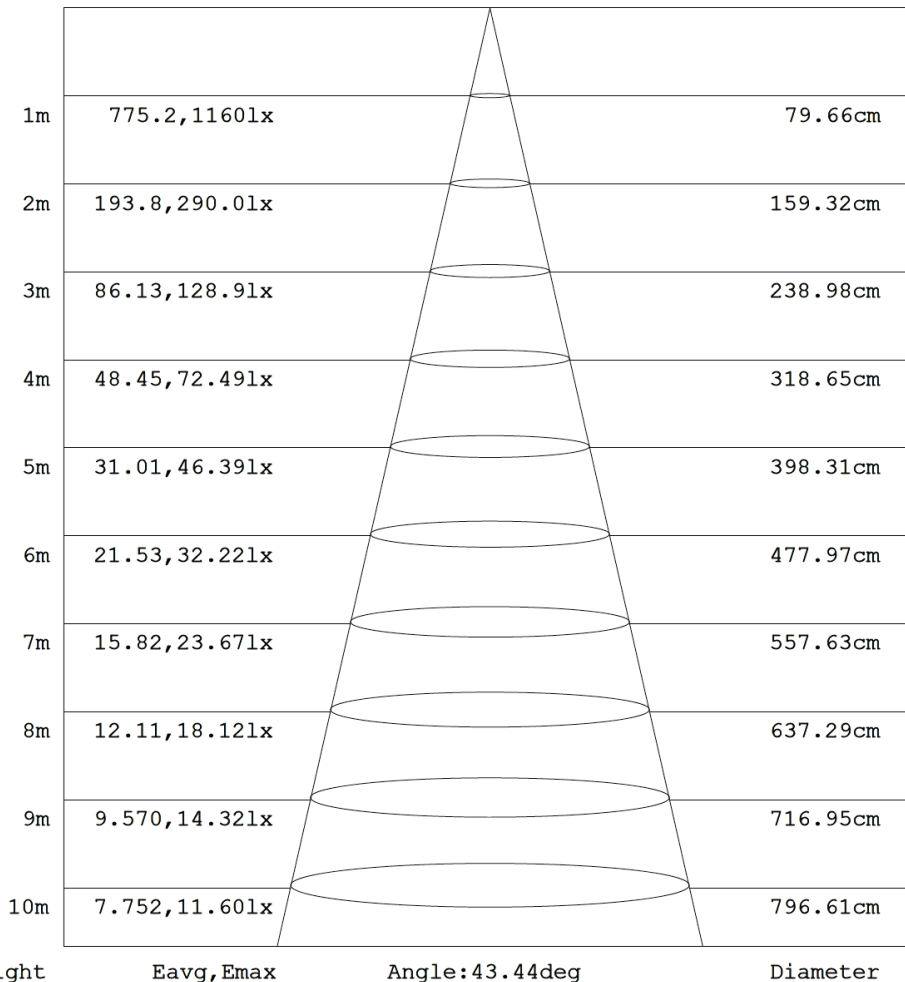
TOVO PHOTOMETRY

Downlight - Modulated Click Spot Series - Semi Trimless - C Spot - 2700K

FITTING - Downlight - Modulated Click Spot Series - Semi Trimless - C Spot		CODE - 4682_2700K_60°	
BODY - Modulated Downlight System With Short Snoot & Small Trim. Allowing For Interchangeable Body			
LAMP - TOVO 10W 2700K LED Lamp With Dimmable 25-42VDC 250mA LED Driver			
INSTALLATION - Recessed Downlight. 76mm Cut		POWER SUPPLY - 220- 250V LED Driver c/w Flex & Plug	
NOMINAL POWER	10W	RATED INPUT VOLTAGE	240V
NOMINAL FLUX	687.5 Lm	LAMPS INSIDE	1
IMAX	1162 CD	LIGHT OUTPUT RATIO	100%
CIE CLASS	Direct	UP	.01%
EFFICIENCY	54.88 Lm/W	DOWN	99.9%

LUMINANCE cd/(m2)		
G (DEG)	C0/180	C90/270
85	28253	20078
80	35294	29853
75	40181	35393
70	45201	40929
65	50439	46472
60	58265	54183
55	61360	60326
50	59306	58769
45	58644	57146

Flux out: 397.5 lm





Downlight - Modulated Click Spot Series - Semi Trimless - C Spot - 2700K

Coefficients of Utilisation

ρ_{cc}	80%			70%			50%			30%			10%			0														
ρ_w	50%	30%	10%	50%	30%	10%	50%	30%	10%	50%	30%	10%	50%	30%	10%	0														
ρ_{fc}	20%			20%			20%			20%			20%			0														
RCR	RCR:Room Cavity Ratio															Coefficients of Utilization (CU)														
0.0	1.19	1.19	1.19	1.16	1.16	1.16	1.11	1.11	1.11	1.06	1.06	1.06	1.02	1.02	1.02	.00														
1.0	1.10	1.08	1.05	1.08	1.06	1.04	1.04	1.02	1.00	1.00	.99	.97	.97	.96	.94	.93														
2.0	1.02	.98	.95	1.01	.97	.94	.97	.94	.91	.94	.92	.89	.92	.89	.88	.86														
3.0	.95	.90	.86	.94	.89	.86	.91	.88	.84	.89	.86	.83	.87	.84	.82	.80														
4.0	.90	.84	.80	.88	.83	.79	.86	.82	.78	.84	.80	.77	.82	.79	.77	.75														
5.0	.84	.79	.74	.83	.78	.74	.82	.77	.73	.80	.76	.73	.78	.75	.72	.71														
6.0	.80	.74	.70	.79	.73	.69	.77	.73	.69	.76	.72	.69	.75	.71	.68	.67														
7.0	.76	.70	.66	.75	.69	.66	.74	.69	.65	.72	.68	.65	.71	.67	.64	.63														
8.0	.72	.66	.62	.71	.66	.62	.70	.65	.62	.69	.65	.62	.68	.64	.61	.60														
9.0	.69	.63	.59	.68	.63	.59	.67	.62	.59	.66	.62	.59	.65	.61	.58	.57														
10.0	.65	.60	.56	.65	.60	.56	.64	.59	.56	.63	.59	.56	.63	.59	.56	.55														

Candela Distribution

UNIT: cd

C (DEG) \ γ (DEG)	0	22.5	45	67.5	90	112.5	135	157.5	180	202.5	225	247.5	270	292.5	315	337.5			
0	1154	1154	1153	1153	1152	1151	1150	1150	1154	1154	1153	1153	1152	1151	1150	1150			
5	1145	1142	1132	1128	1123	1113	1115	1116	1124	1118	1122	1129	1130	1134	1134	1140			
10	1050	1037	1024	1013	1003	995	1002	1011	1027	1032	1043	1055	1060	1065	1051	1042			
15	899	875	851	844	845	834	842	861	897	911	932	934	938	933	923	904			
20	678	662	645	632	619	620	629	645	690	718	741	745	745	738	721	709			
25	420	436	428	427	424	408	396	373	373	347	343	338	359	385	408	417			
30	232	240	232	229	216	206	202	185	186	175	166	166	170	181	210	227			
35	87.3	85.6	83.9	82.0	78.3	77.4	78.6	76.4	81.5	80.5	79.0	79.7	83.1	79.5	84.2	88.5			
40	50.8	49.6	48.5	48.2	46.7	46.8	48.3	48.2	50.4	51.1	50.2	51.7	53.3	50.4	50.7	50.5			
45	41.5	41.8	41.8	41.4	40.4	39.6	38.9	38.9	38.9	38.9	39.0	38.9	39.6	38.8	38.6	39.8			
50	38.1	38.8	38.9	38.6	37.8	36.8	36.0	35.3	34.6	34.3	34.5	34.1	34.3	34.4	34.9	35.9			
55	35.2	35.8	35.9	35.3	34.6	33.7	32.9	32.3	31.5	31.7	31.6	31.5	31.5	31.8	32.1	33.2			
60	29.1	29.1	28.6	27.8	27.1	26.5	26.4	26.6	26.8	27.7	28.1	28.1	28.0	27.9	28.1	28.7			
65	21.3	21.0	20.5	20.1	19.6	19.4	19.5	20.1	20.6	21.6	22.3	22.5	22.3	21.9	21.4	21.1			
70	15.5	15.0	14.6	14.2	14.0	13.9	14.1	14.7	15.0	15.8	16.4	16.7	16.6	16.2	15.7	15.3			
75	10.4	10.0	9.69	9.39	9.16	9.24	9.41	9.83	9.87	10.5	11.0	11.3	11.3	11.0	10.6	10.2			
80	6.13	5.81	5.55	5.32	5.18	5.19	5.35	5.58	5.45	5.85	6.32	6.50	6.51	6.37	6.21	5.48			
85	2.46	2.22	1.99	1.84	1.75	1.76	1.85	2.08	1.66	1.90	2.13	2.44	2.46	2.37	2.21	1.83			
90	0.00	0.00	0.00	0.00	0.00	0.00	0.00	0.00	0.00	0.00	0.00	0.00	0.00	0.00	0.00	0.00			
95	0.00	0.00	0.00	0.00	0.00	0.00	0.00	0.00	0.00	0.00	0.00	0.00	0.00	0.00	0.00	0.00			
100	0.00	0.00	0.00	0.00	0.00	0.00	0.00	0.00	0.00	0.00	0.00	0.00	0.00	0.00	0.00	0.00			
105	0.00	0.00	0.00	0.00	0.00	0.00	0.00	0.00	0.00	0.00	0.00	0.00	0.00	0.00	0.00	0.00			
110	0.00	0.00	0.00	0.00	0.00	0.00	0.00	0.00	0.00	0.00	0.00	0.00	0.00	0.00	0.00	0.00			
115	0.00	0.00	0.00	0.00	0.00	0.00	0.00	0.00	0.00	0.00	0.00	0.00	0.00	0.00	0.00	0.00			
120	0.00	0.00	0.00	0.00	0.00	0.00	0.00	0.00	0.00	0.00	0.00	0.00	0.00	0.00	0.00	0.00			
125	0.00	0.00	0.00	0.00	0.00	0.00	0.00	0.00	0.00	0.00	0.00	0.00	0.00	0.00	0.00	0.00			
130	0.00	0.00	0.00	0.00	0.00	0.00	0.00	0.00	0.00	0.00	0.00	0.00	0.00	0.00	0.00	0.00			
135	0.00	0.00	0.00	0.00	0.00	0.00	0.00	0.00	0.00	0.00	0.00	0.00	0.00	0.00	0.00	0.00			
140	0.00	0.00	0.00	0.00	0.00	0.00	0.00	0.00	0.00	0.00	0.00	0.00	0.00	0.00	0.00	0.00			
145	0.00	0.00	0.00	0.00	0.00	0.00	0.00	0.00	0.08	0.08	0.00	0.08	0.00	0.00	0.00	0.00			
150	0.08	0.16	0.00	0.16	0.00	0.08	0.08	0.08	0.40	0.32	0.16	0.40	0.32	0.32	0.32	0.40			
155	0.24	0.08	0.62	0.08	0.08	0.08	0.24	0.00	0.71	0.56	0.63	0.79	0.64	0.72	0.64	0.64			
160	0.24	0.47	0.64	0.79	0.32	0.56	0.56	0.47	1.03	0.95	0.87	1.11	1.11	1.03	1.04	0.88			
165	0.87	0.63	0.71	0.87	0.56	0.72	0.79	0.80	1.43	1.35	1.11	1.19	1.19	1.19	1.12	1.12			
170	1.19	1.27	1.11	1.19	1.11	1.19	1.27	1.19	1.51	1.35	1.51	1.59	1.35	1.27	1.43	1.51			
175	1.27	1.43	1.58	1.43	1.19	1.27	1.75	1.75	1.51	1.35	1.43	1.59	1.51	1.27	1.35	1.67			
180	1.50	1.43	1.51	1.51	1.27	1.35	1.67	1.83	1.51	1.35	1.43	1.51	1.51	1.27	1.35	1.67			