

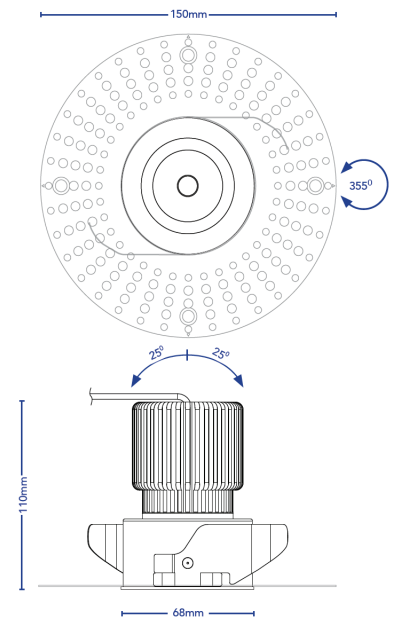
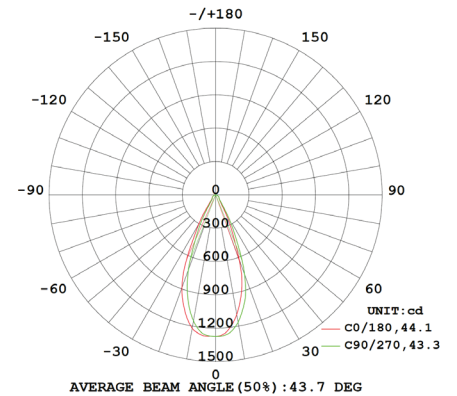
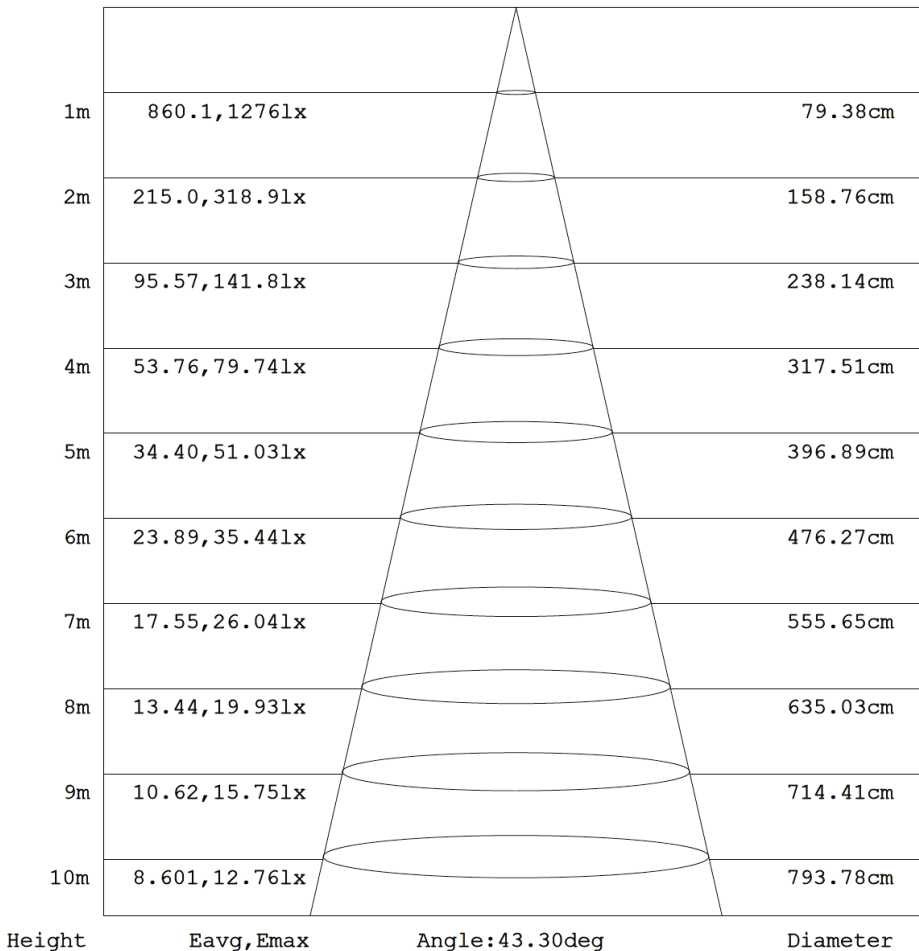
TOVO PHOTOMETRY

Downlight - Modulated Click Spot Series - Semi Trimless - C Spot - 3000K

FITTING - Downlight - Modulated Click Spot Series - Semi Trimless - C Spot		CODE - 4682_3000K_60°	
BODY - Modulated Downlight System With Short Snoot & Small Trim. Allowing For Interchangeable Body & Housing			
LAMP - TOVO 10W 3000K LED Lamp With Dimmable 25-42VDC 250mA LED Driver			
INSTALLATION - Recessed Downlight. 76mm Cut		POWER SUPPLY - 220- 250V LED Driver c/w Flex & Plug	
NOMINAL POWER	10W	RATED INPUT VOLTAGE	240V
NOMINAL FLUX	763.5 Lm	LAMPS INSIDE	1
IMAX	1278 CD	LIGHT OUTPUT RATIO	100%
CIE CLASS	Direct	UP	.01%
EFFICIENCY	67.24 Lm/W	DOWN	99.9%

LUMINANCE cd/ (m2)		
G (DEG)	C0/180	C90/270
85	13786	35766
80	28997	42215
75	37171	47342
70	43256	52280
65	49112	57188
60	54687	63029
55	61155	64174
50	60250	62473
45	59718	64003

Flux out: 441.1 lm





Downlight - Modulated Click Spot Series - Semi Trimless - C Spot - 3000K

Coefficients of Utilisation

ρ_{cc}	80%			70%			50%			30%			10%			0
ρ_w	50%	30%	10%	50%	30%	10%	50%	30%	10%	50%	30%	10%	50%	30%	10%	0
ρ_{fc}	20%			20%			20%			20%			20%			0
RCR	RCR:Room Cavity Ratio															
	Coefficients of Utilization (CU)															
0.0	1.19	1.19	1.19	1.16	1.16	1.16	1.11	1.11	1.11	1.06	1.06	1.06	1.02	1.02	1.02	.00
1.0	1.10	1.08	1.05	1.08	1.06	1.03	1.04	1.02	1.00	1.00	.99	.97	.97	.96	.94	.93
2.0	1.02	.98	.95	1.01	.97	.94	.97	.94	.91	.94	.92	.89	.91	.89	.88	.86
3.0	.95	.90	.86	.94	.89	.86	.91	.88	.84	.89	.86	.83	.87	.84	.82	.80
4.0	.90	.84	.80	.88	.83	.79	.86	.82	.78	.84	.80	.77	.82	.79	.77	.75
5.0	.84	.79	.74	.83	.78	.74	.82	.77	.73	.80	.76	.73	.78	.75	.72	.71
6.0	.80	.74	.70	.79	.73	.69	.77	.73	.69	.76	.72	.69	.75	.71	.68	.67
7.0	.76	.70	.66	.75	.69	.66	.74	.69	.65	.73	.68	.65	.71	.67	.65	.63
8.0	.72	.66	.62	.71	.66	.62	.70	.65	.62	.69	.65	.62	.68	.64	.61	.60
9.0	.69	.63	.59	.68	.63	.59	.67	.62	.59	.66	.62	.59	.65	.61	.58	.57
10.0	.65	.60	.56	.65	.60	.56	.64	.59	.56	.63	.59	.56	.63	.59	.56	.55

Candela Distribution

UNIT: cd

C (DEG) \ y (DEG)	0	22.5	45	67.5	90	112.5	135	157.5	180	202.5	225	247.5	270	292.5	315	337.5			
0	1276	1275	1275	1275	1275	1275	1275	1275	1276	1275	1275	1275	1275	1275	1275	1275			
5	1229	1231	1241	1247	1257	1266	1269	1271	1273	1274	1269	1264	1258	1248	1242	1238			
10	1095	1098	1108	1133	1165	1192	1208	1218	1219	1203	1182	1167	1152	1126	1108	1100			
15	901	910	935	969	1004	1037	1063	1076	1077	1054	1034	1004	969	940	924	911			
20	623	644	672	717	762	814	854	876	890	855	821	772	720	679	645	636			
25	327	332	356	393	440	491	533	568	588	551	504	451	413	383	353	344			
30	144	150	170	201	231	268	286	299	306	290	276	240	208	176	158	150			
35	70.5	73.0	78.9	84.2	92.1	102	111	117	123	110	102	93.2	82.1	75.5	72.3	71.9			
40	49.1	50.4	53.0	54.1	56.4	58.7	63.1	63.0	65.5	61.8	58.5	54.5	51.9	49.3	49.0	48.8			
45	42.2	42.5	43.4	44.0	45.3	45.2	46.8	47.2	46.9	45.9	44.4	43.3	42.3	41.2	41.0	41.2			
50	38.7	38.9	39.3	39.5	40.2	40.4	40.8	41.4	40.8	40.3	39.7	39.2	38.1	37.6	37.3	37.4			
55	35.1	35.5	36.0	36.3	36.8	37.1	37.4	37.7	37.1	36.9	36.8	36.0	35.2	34.5	34.2	34.1			
60	27.3	28.0	29.0	30.2	31.5	32.8	33.4	33.8	33.6	33.6	32.8	31.5	29.6	28.1	27.0	26.6			
65	20.8	21.2	22.2	23.2	24.2	25.2	26.0	26.5	26.4	25.9	25.2	24.1	22.5	21.3	20.4	20.1			
70	14.8	15.3	16.0	16.9	17.9	18.8	19.5	20.1	19.8	19.5	18.7	17.6	16.3	15.3	14.5	14.2			
75	9.62	9.93	10.6	11.4	12.3	13.0	13.7	14.2	14.0	13.7	12.8	11.9	10.9	9.91	8.36	8.96			
80	5.04	5.35	5.90	6.53	7.33	8.06	8.70	8.99	8.79	8.32	7.69	6.82	6.11	5.16	0.08	4.43			
85	1.20	1.43	1.92	1.91	3.12	3.75	4.31	4.64	4.04	3.79	3.25	2.53	1.81	1.11	0.00	0.23			
90	0.00	0.00	0.00	0.00	0.00	0.00	0.01	0.03	0.00	0.00	0.00	0.00	0.00	0.00	0.00	0.00			
95	0.00	0.00	0.00	0.00	0.00	0.00	0.00	0.00	0.00	0.00	0.00	0.00	0.00	0.00	0.00	0.00			
100	0.00	0.00	0.00	0.00	0.00	0.00	0.00	0.00	0.00	0.00	0.00	0.00	0.00	0.00	0.00	0.00			
105	0.00	0.00	0.00	0.00	0.00	0.00	0.00	0.00	0.00	0.00	0.00	0.00	0.00	0.00	0.00	0.00			
110	0.00	0.00	0.00	0.00	0.00	0.00	0.00	0.00	0.00	0.00	0.00	0.00	0.00	0.00	0.00	0.00			
115	0.00	0.00	0.00	0.00	0.00	0.00	0.00	0.00	0.00	0.00	0.00	0.00	0.00	0.00	0.00	0.00			
120	0.00	0.00	0.00	0.00	0.00	0.00	0.00	0.00	0.00	0.00	0.00	0.00	0.00	0.00	0.00	0.00			
125	0.00	0.00	0.00	0.00	0.00	0.00	0.00	0.00	0.00	0.00	0.00	0.00	0.00	0.00	0.00	0.00			
130	0.00	0.00	0.00	0.00	0.00	0.00	0.00	0.00	0.00	0.00	0.00	0.00	0.00	0.00	0.00	0.00			
135	0.00	0.00	0.00	0.00	0.00	0.00	0.00	0.00	0.00	0.00	0.00	0.00	0.00	0.00	0.00	0.00			
140	0.00	0.00	0.00	0.00	0.00	0.00	0.00	0.00	0.00	0.00	0.00	0.00	0.00	0.00	0.00	0.00			
145	0.00	0.00	0.00	0.00	0.00	0.00	0.00	0.00	0.08	0.01	0.00	0.16	0.00	0.32	0.16	0.32			
150	0.08	0.08	0.00	0.00	0.00	0.00	0.00	0.08	0.40	0.48	0.32	0.56	0.40	0.56	0.40	0.72			
155	0.48	0.32	0.48	0.00	0.08	0.00	0.24	0.08	0.56	0.64	0.64	0.88	0.79	1.11	0.88	0.88			
160	0.64	0.95	1.27	0.48	0.40	0.64	0.87	0.48	0.88	1.04	0.95	1.11	1.27	1.28	1.43	1.19			
165	1.27	1.27	1.43	1.26	0.95	1.11	1.35	0.95	1.51	1.43	1.27	1.11	1.35	1.43	1.43	1.43			
170	1.51	1.58	1.58	1.43	1.27	1.35	1.43	1.27	1.59	1.83	1.59	1.99	1.67	1.43	1.83	1.99			
175	2.14	2.46	2.54	1.67	1.35	1.59	2.06	1.75	1.59	1.91	1.99	2.15	1.67	1.35	1.75	2.07			
180	2.07	2.22	2.22	1.67	1.35	1.59	2.07	1.83	1.59	2.06	2.23	2.23	1.67	1.35	1.59	2.15			