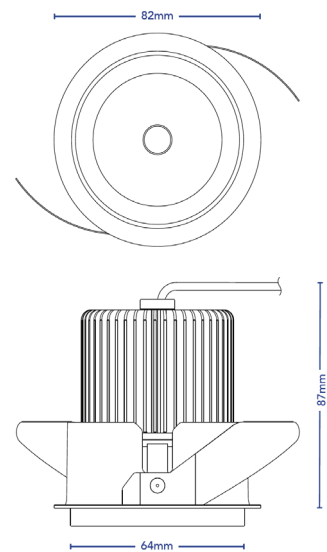
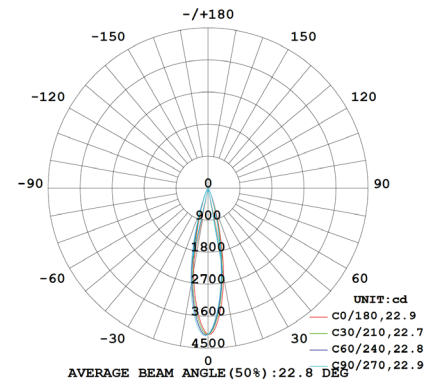
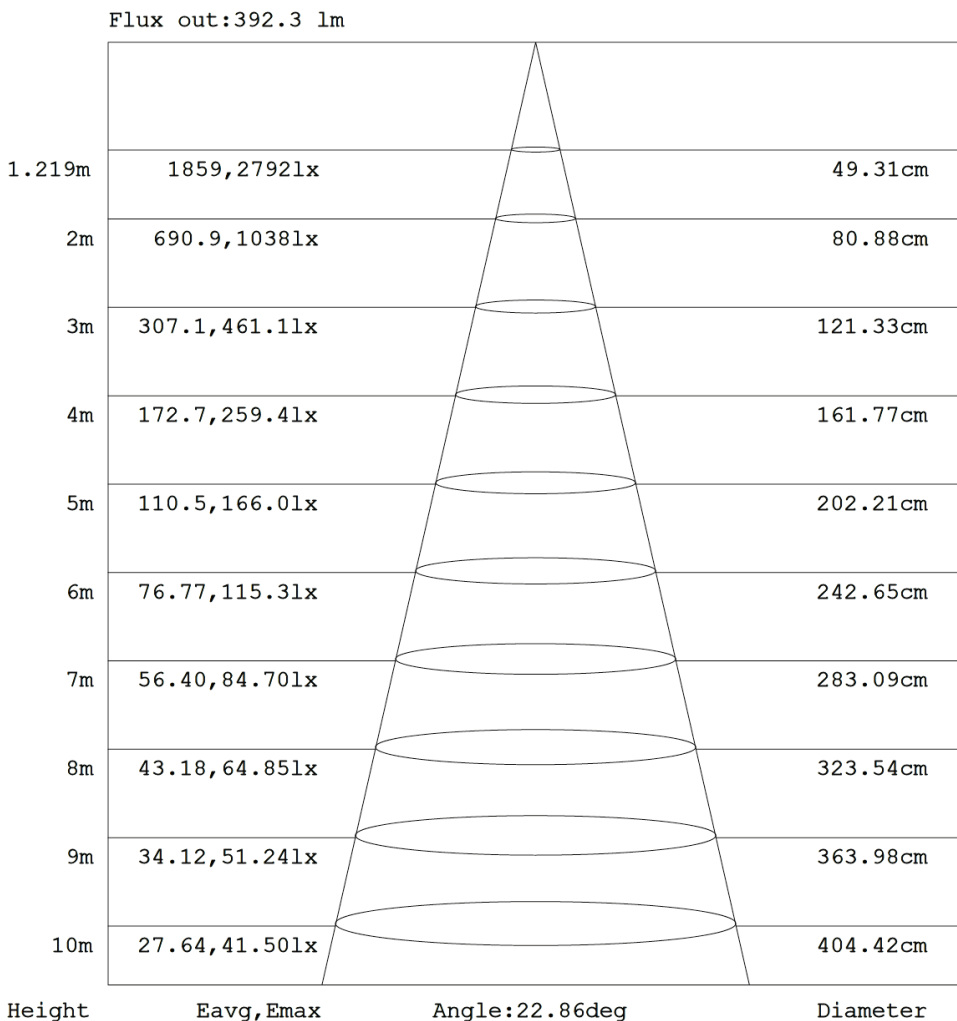


T O V O

PHOTOMETRY

Downlight - Modulated Click Spot Series - Semi Trimless - E Spot - 2700K

FITTING - Downlight - Modulated Click Spot Series - Semi Trimless - E Spot		CODE - 4690_2700K_60°		LUMINANCE cd/ (m2)		
BODY - Modulated Downlight System With High IP And Small Trim. Ideal For Bathrooms And Damp Areas						
LAMP - TOVO 10W 2700K LED Lamp With Dimmable 25-42VDC 250mA LED Driver				85	21	14
INSTALLATION - Recessed Downlight. 76mm Cut		POWER SUPPLY - 220- 250V LED Driver c/w Flex & Plug		80	22	15
NOMINAL POWER	10W	RATED INPUT VOLTAGE	240V	75	29	26
NOMINAL FLUX	834 Lm	LAMPS INSIDE	1	70	32	29
IMAX	4161 CD	LIGHT OUTPUT RATIO	100%	65	35	34
CIE CLASS	Direct	UP	.02%	60	33	33
EFFICIENCY	75.44 Lm/W	DOWN	99.8%	55	53	39
				50	55	53
				45	59	56





Downlight - Modulated Click Spot Series - Semi Trimless - E Spot - 2700K

Coefficients of Utilisation

ρ_{cc}	80%			70%			50%			30%			10%			0														
ρ_w	50%	30%	10%	50%	30%	10%	50%	30%	10%	50%	30%	10%	50%	30%	10%	0														
ρ_{fc}	20%			20%			20%			20%			20%			0														
RCR	RCR:Room Cavity Ratio															Coefficients of Utilization (CU)														
0.0	1.19	1.19	1.19	1.16	1.16	1.16	1.11	1.11	1.11	1.06	1.06	1.06	1.02	1.02	1.02	.00														
1.0	1.12	1.10	1.08	1.10	1.08	1.07	1.06	1.05	1.03	1.02	1.01	1.00	.99	.98	.97	.96														
2.0	1.06	1.03	1.00	1.05	1.02	.99	1.01	.99	.97	.99	.97	.95	.96	.94	.93	.91														
3.0	1.01	.97	.94	1.00	.96	.94	.97	.95	.92	.95	.93	.91	.93	.91	.89	.88														
4.0	.97	.93	.90	.96	.92	.89	.94	.91	.88	.92	.89	.87	.90	.88	.86	.85														
5.0	.93	.89	.86	.92	.88	.85	.91	.87	.84	.89	.86	.84	.88	.85	.83	.82														
6.0	.90	.85	.82	.89	.85	.82	.88	.84	.81	.86	.83	.81	.85	.83	.80	.79														
7.0	.87	.82	.79	.86	.82	.79	.85	.81	.79	.84	.81	.78	.83	.80	.78	.77														
8.0	.84	.80	.77	.84	.79	.77	.83	.79	.76	.82	.78	.76	.81	.78	.76	.75														
9.0	.82	.77	.74	.81	.77	.74	.80	.77	.74	.80	.76	.74	.79	.76	.74	.73														
10.0	.79	.75	.72	.79	.75	.72	.78	.75	.72	.78	.74	.72	.77	.74	.72	.71														

Candela Distribution

UNIT: cd

C (DEG) \ γ (DEG)	0	15	30	45	60	75	90	105	120	135	150	165	180	195	210	225	240	255	270
0	4115	4115	4115	4115	4115	4115	4115	4115	4115	4115	4115	4115	4115	4115	4115	4115	4115	4115	4115
5	3603	3581	3473	3452	3387	3361	3323	3311	3308	3324	3337	3387	3458	3480	3580	3606	3700	3746	3801
10	2500	2449	2306	2272	2176	2157	2084	2098	2078	2131	2154	2233	2333	2365	2499	2531	2640	2693	2771
15	1263	1225	1111	1074	1028	991	969	952	967	982	1033	1069	1142	1158	1284	1294	1417	1459	1542
20	514	496	432	429	393	392	373	381	382	404	415	443	471	469	523	524	574	595	637
25	191	181	160	161	153	152	147	151	155	166	172	182	191	189	208	210	228	235	258
30	80.2	76.4	70.2	72.3	71.0	70.3	68.7	70.7	73.8	78.3	80.5	83.8	85.5	83.5	90.5	95.6	101	105	105
35	42.7	41.4	41.0	42.8	43.0	43.2	43.0	43.9	44.3	46.0	47.4	47.8	47.2	46.2	48.5	50.2	53.7	54.1	55.1
40	34.2	33.4	33.6	34.1	33.9	34.0	33.9	34.1	33.8	34.3	34.8	35.4	35.1	34.4	35.8	36.6	38.2	38.5	38.7
45	29.7	29.0	28.7	29.1	28.6	28.7	28.3	28.3	28.5	28.7	29.4	29.4	29.6	28.9	29.8	30.4	31.2	31.5	31.7
50	25.4	25.0	24.9	25.0	24.6	24.6	24.6	24.7	24.7	24.9	24.7	25.4	25.7	25.1	25.6	26.2	26.9	27.3	27.8
55	21.9	21.8	21.3	21.3	19.4	18.9	16.3	16.7	15.3	16.5	15.5	17.9	17.6	19.2	18.2	23.2	21.0	23.3	21.9
60	11.9	11.8	11.7	11.9	11.8	11.8	11.9	12.0	12.0	12.1	12.1	12.2	12.2	12.0	12.1	12.1	12.1	12.2	12.2
65	10.6	10.6	10.4	10.5	10.4	10.3	10.3	10.3	10.3	10.3	10.3	10.4	10.5	10.5	10.6	10.6	10.7	10.7	10.8
70	7.90	7.92	7.54	7.55	7.31	7.25	7.16	7.15	7.13	7.13	7.16	7.24	7.39	7.39	7.71	7.71	8.01	8.10	8.31
75	5.35	5.38	5.12	5.15	4.97	4.93	4.81	4.76	4.70	4.71	4.74	4.85	4.98	4.97	5.19	5.18	5.38	5.43	5.57
80	2.70	2.68	2.26	2.24	2.00	1.93	1.85	1.83	1.81	1.84	1.87	1.95	2.12	2.17	2.58	2.61	2.86	2.92	3.05
85	1.30	1.28	1.13	1.11	1.00	0.95	0.88	0.86	0.84	0.87	0.89	0.97	1.07	1.09	1.24	1.18	1.26	1.39	1.46
90	0.00	0.00	0.00	0.00	0.00	0.00	0.00	0.00	0.00	0.00	0.00	0.00	0.00	0.00	0.00	0.00	0.00	0.00	0.00
95	0.00	0.00	0.00	0.00	0.00	0.00	0.00	0.00	0.00	0.00	0.00	0.00	0.00	0.00	0.00	0.00	0.00	0.00	0.00
100	0.00	0.00	0.00	0.00	0.00	0.00	0.00	0.00	0.00	0.00	0.00	0.00	0.00	0.00	0.00	0.00	0.00	0.00	0.00
105	0.00	0.00	0.00	0.00	0.00	0.00	0.00	0.00	0.00	0.00	0.00	0.00	0.00	0.00	0.00	0.00	0.00	0.00	0.00
110	0.00	0.00	0.00	0.00	0.00	0.00	0.00	0.00	0.00	0.00	0.00	0.00	0.00	0.00	0.00	0.00	0.00	0.00	0.00
115	0.00	0.00	0.00	0.00	0.00	0.00	0.00	0.00	0.00	0.00	0.00	0.00	0.00	0.00	0.00	0.00	0.00	0.00	0.00
120	0.00	0.00	0.00	0.00	0.00	0.00	0.00	0.00	0.00	0.06	0.08	0.00	0.00	0.00	0.00	0.00	0.00	0.00	0.00
125	0.00	0.16	0.17	0.19	0.20	0.17	0.18	0.18	0.17	0.25	0.26	0.00	0.00	0.00	0.10	0.00	0.13	0.13	0.09
130	0.00	0.32	0.40	0.44	0.48	0.46	0.49	0.54	0.51	0.51	0.55	0.40	0.00	0.22	0.06	0.39	0.32	0.29	0.26
135	0.00	0.21	0.31	0.68	0.71	0.70	0.73	0.74	0.77	0.78	0.82	0.70	0.00	0.22	0.22	0.85	0.82	0.77	0.73
140	0.04	0.76	0.02	0.87	0.89	0.85	0.90	0.86	0.90	0.95	0.01	0.97	0.11	0.68	0.09	0.14	1.07	1.03	0.98
145	0.09	0.71	0.70	0.71	0.77	0.74	0.76	0.77	0.78	0.80	0.76	0.79	0.27	1.02	1.10	0.36	1.18	1.15	1.14
150	0.14	0.62	0.61	0.24	0.72	0.74	0.75	0.76	0.74	0.24	0.74	0.68	0.46	1.01	1.10	0.60	0.96	1.19	1.15
155	0.13	0.19	0.25	0.63	0.30	0.32	0.60	0.40	0.28	0.62	0.61	0.56	0.65	1.12	1.22	1.25	0.87	1.04	1.34
160	0.19	0.53	0.59	0.62	0.69	0.53	0.30	0.40	0.27	0.39	0.88	0.70	0.82	1.26	1.28	1.03	1.00	1.05	1.03
165	0.18	0.91	0.92	0.96	0.99	1.00	1.02	0.98	0.22	0.23	0.20	0.71	0.78	1.60	0.87	0.92	0.95	1.90	1.39
170	0.17	0.35	0.92	0.96	1.02	1.06	1.09	0.93	0.20	0.52	0.62	0.27	0.69	0.80	1.51	0.98	0.76	1.56	1.60
175	0.19	0.24	0.69	1.33	1.58	1.66	1.65	1.14	0.36	0.42	1.27	0.77	0.85	1.64	1.05	0.54	0.52	1.18	1.64
180	0.26	0.27	0.28	0.28	0.27	0.27	0.28	0.26	0.26	0.27	0.28	0.30	0.25	0.27	0.27	0.28	0.27	0.27	0.28