

# T O V O

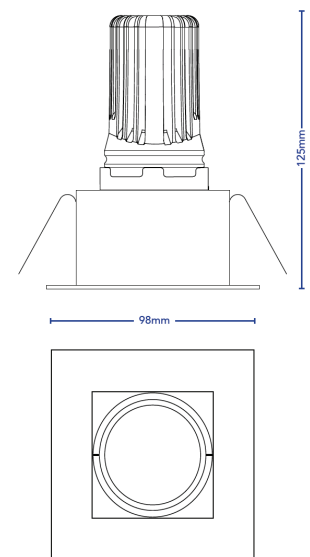
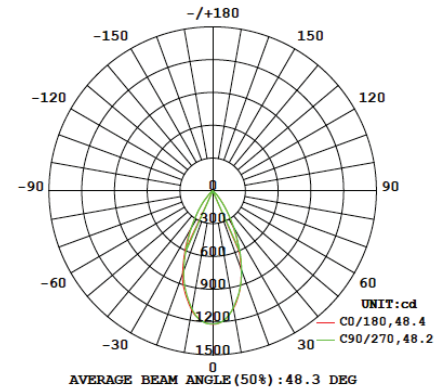
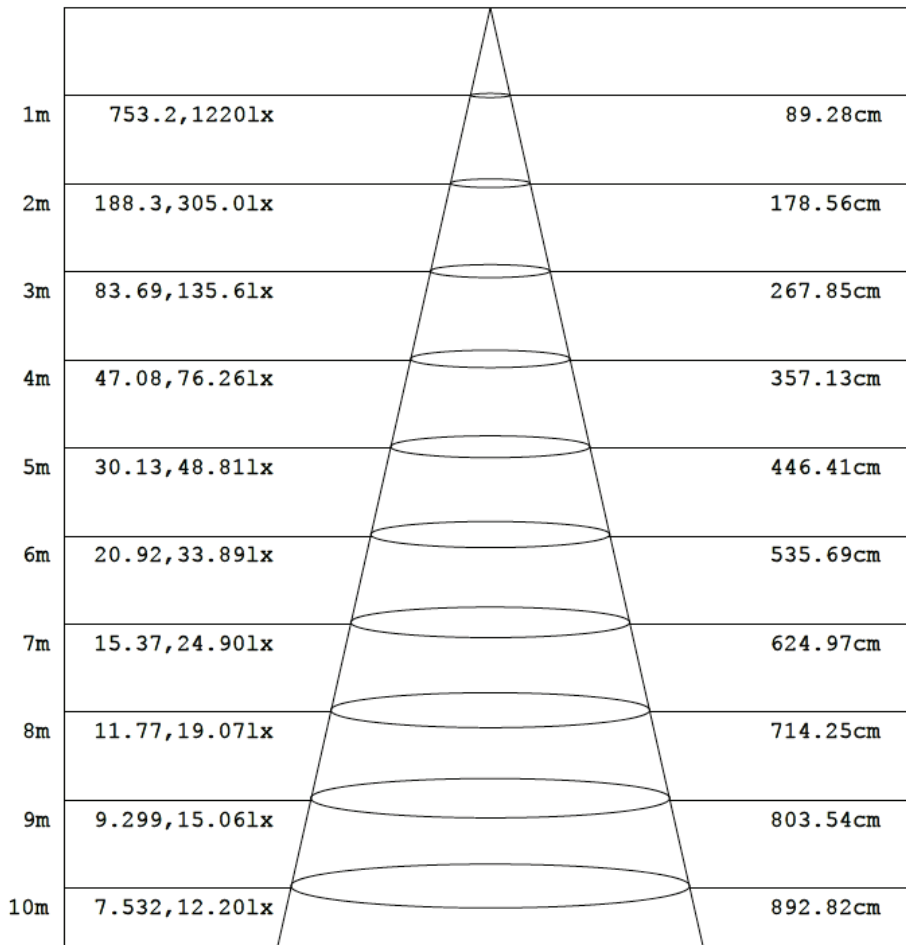
PHOTOMETRY

## Downlight - Low Glare Square - 3000K

<b>FITTING</b> - Downlight - Low Glare - Square		<b>CODE</b> - 2520_3000K_60°	
<b>BODY</b> - Heavy Duty Nylon Polymer Body In Black Or White. Powdercoated Faceplate In Either Black Or White			
<b>LAMP</b> - TOVO 10W 3000K LED Lamp With Dimmable 25-42VDC 250mA LED Driver			
<b>INSTALLATION</b> - Recessed Downlight. 89mm Cut		<b>POWER SUPPLY</b> - 220- 250V LED Driver c/w Flex & Plug	
<b>NOMINAL POWER</b>	10W	<b>RATED INPUT VOLTAGE</b>	240V
<b>NOMINAL FLUX</b>	856.3 Lm	<b>LAMPS INSIDE</b>	1
<b>IMAX</b>	1220 CD	<b>LIGHT OUTPUT RATIO</b>	100%
<b>CIE CLASS</b>	Direct	<b>UP</b>	.1%
<b>EFFICIENCY</b>	88.39 Lm/W	<b>DOWN</b>	99.9%

LUMINANCE cd/(m2)		
G (DEG)	C0/180	C90/270
85	4593	8242
80	6906	9619
75	8318	11036
70	8618	10445
65	9320	12614
60	18246	19069
55	27243	26016
50	34829	35544
45	85680	85987

Flux out: 514.5 lm



Height                      Eavg, Emax                      Angle: 48.11deg                      Diameter



Downlight - Low Glare Square - 3000K

Coefficients of Utilisation

pcc	80%			70%			50%			30%			10%			0
pw	50%	30%	10%	50%	30%	10%	50%	30%	10%	50%	30%	10%	50%	30%	10%	0
pfc	20%			20%			20%			20%			20%			0
RCR	RCR:Room Cavity Ratio															
	Coefficients of Utilization(CU)															
0.0	1.19	1.19	1.19	1.16	1.16	1.16	1.11	1.11	1.11	1.06	1.06	1.06	1.02	1.02	1.02	.00
1.0	1.11	1.08	1.06	1.09	1.07	1.05	1.05	1.03	1.01	1.01	.00	.98	.97	.96	.95	.94
2.0	1.03	.99	.96	1.02	.98	.95	.98	.95	.93	.95	.93	.91	.93	.91	.89	.87
3.0	.97	.92	.88	.95	.91	.87	.93	.89	.86	.90	.87	.84	.88	.85	.83	.82
4.0	.91	.85	.81	.89	.84	.81	.87	.83	.80	.85	.82	.79	.83	.80	.78	.76
5.0	.85	.79	.75	.84	.79	.75	.82	.78	.74	.81	.77	.74	.79	.76	.73	.71
6.0	.80	.74	.70	.79	.74	.70	.78	.73	.69	.76	.72	.69	.75	.71	.68	.67
7.0	.76	.70	.66	.75	.69	.65	.74	.69	.65	.72	.68	.65	.71	.67	.64	.63
8.0	.71	.66	.62	.71	.65	.62	.70	.65	.61	.69	.64	.61	.68	.64	.61	.59
9.0	.68	.62	.58	.67	.62	.58	.66	.61	.58	.65	.61	.58	.65	.60	.57	.56
10.0	.64	.59	.55	.64	.59	.55	.63	.58	.55	.62	.58	.55	.62	.57	.54	.53

Candela Distribution

UNIT: cd

C (DEG)	UNIT: cd															
γ (DEG)	0	22.5	45	67.5	90	112.5	135	157.5	180	202.5	225	247.5	270	292.5	315	337.5
0	1220	1219	1218	1218	1216	1216	1215	1214	1220	1219	1218	1218	1216	1216	1215	1214
5	1187	1186	1185	1184	1189	1188	1187	1184	1192	1195	1195	1194	1193	1191	1190	1187
10	1091	1078	1072	1076	1086	1093	1098	1103	1109	1099	1091	1094	1095	1096	1098	1096
15	952	935	923	933	946	955	958	964	973	966	955	952	952	961	959	952
20	760	751	747	757	773	785	792	798	811	793	781	777	777	774	769	759
25	554	549	555	563	574	580	582	588	603	607	592	587	571	566	565	556
30	370	371	378	376	385	386	392	394	407	415	414	408	394	389	384	380
35	228	230	232	230	233	234	233	240	248	256	261	257	249	244	237	232
40	129	116	113	120	118	122	128	132	139	125	126	145	144	138	137	133
45	60.6	58.0	39.4	59.1	60.8	61.5	63.0	61.5	60.5	56.4	39.0	58.7	60.3	61.9	63.0	61.2
50	22.4	21.4	21.5	22.4	22.8	24.5	25.4	24.4	23.2	20.5	20.2	20.6	21.1	21.2	21.7	21.9
55	15.6	13.9	13.6	14.3	14.9	16.2	17.3	16.8	15.2	12.8	12.4	12.8	13.0	13.8	14.5	15.0
60	9.12	8.51	8.12	9.31	9.53	10.3	10.9	10.3	9.54	7.45	6.83	8.00	7.67	7.74	8.08	8.32
65	3.94	4.46	4.84	5.24	5.33	5.63	5.48	5.09	4.38	4.05	3.88	3.77	3.45	2.62	3.16	3.24
70	2.95	3.34	3.65	3.33	3.57	3.73	3.57	3.34	2.63	2.54	2.62	1.90	1.74	1.50	1.83	1.82
75	2.15	2.47	2.86	2.70	2.86	2.94	2.86	2.71	1.74	1.51	1.82	1.42	1.42	0.47	1.34	1.51
80	1.20	1.59	2.15	1.60	1.67	1.83	1.76	1.67	0.71	0.56	1.35	0.23	0.23	0.00	0.00	0.24
85	0.40	0.56	1.03	0.48	0.72	0.72	0.56	0.64	0.00	0.00	0.08	0.00	0.00	0.00	0.00	0.00
90	0.00	0.00	0.16	0.00	0.00	0.00	0.00	0.00	0.00	0.00	0.00	0.00	0.00	0.00	0.00	0.00
95	0.00	0.00	0.00	0.00	0.00	0.00	0.00	0.00	0.00	0.00	0.00	0.00	0.00	0.00	0.00	0.00
100	0.00	0.00	0.00	0.00	0.00	0.00	0.00	0.00	0.00	0.00	0.00	0.00	0.00	0.00	0.00	0.00
105	0.00	0.00	0.00	0.00	0.00	0.00	0.00	0.00	0.00	0.00	0.00	0.00	0.00	0.00	0.00	0.00
110	0.00	0.00	0.00	0.00	0.00	0.00	0.00	0.00	0.00	0.00	0.00	0.00	0.00	0.00	0.00	0.00
115	0.00	0.00	0.00	0.00	0.00	0.00	0.00	0.00	0.00	0.00	0.00	0.00	0.00	0.00	0.00	0.00
120	0.00	0.00	0.00	0.00	0.00	0.00	0.00	0.00	0.00	0.00	0.00	0.00	0.00	0.00	0.00	0.00
125	0.00	0.00	0.00	0.00	0.00	0.00	0.00	0.00	0.00	0.00	0.00	0.00	0.00	0.00	0.00	0.00
130	0.00	0.00	0.00	0.00	0.00	0.00	0.00	0.00	0.00	0.00	0.00	0.00	0.00	0.00	0.00	0.00
135	0.00	0.00	0.00	0.00	0.00	0.00	0.00	0.00	0.00	0.00	0.00	0.00	0.00	0.00	0.00	0.00
140	0.00	0.00	0.00	0.00	0.00	0.00	0.00	0.00	0.00	0.00	0.00	0.00	0.00	0.00	0.00	0.00
145	0.00	0.00	0.00	0.00	0.00	0.00	0.00	0.00	0.24	0.16	0.24	0.16	0.24	0.16	0.24	0.24
150	0.00	0.00	0.00	0.00	0.08	0.00	0.00	0.08	0.64	0.48	0.55	0.48	0.48	0.48	0.56	0.55
155	0.31	0.32	0.32	0.23	0.16	0.23	0.24	0.16	0.88	0.88	0.87	0.72	0.64	0.79	0.64	0.79
160	0.55	0.56	0.56	0.47	0.55	0.56	0.48	0.48	1.27	1.20	1.27	1.03	1.11	1.11	1.11	1.11
165	1.35	1.11	1.19	1.26	1.27	1.11	1.27	1.19	1.43	1.43	1.43	1.27	1.27	1.43	1.27	1.51
170	1.35	1.43	1.51	1.35	1.43	1.43	1.51	1.51	1.43	1.43	1.43	1.51	1.59	1.43	1.59	1.59
175	1.35	1.43	1.51	1.51	1.43	1.43	1.67	1.51	1.43	1.35	1.43	1.51	1.59	1.43	1.51	1.59
180	1.35	1.43	1.51	1.59	1.43	1.43	1.59	1.51	1.27	1.35	1.43	1.51	1.59	1.43	1.43	1.59