

# T O V O

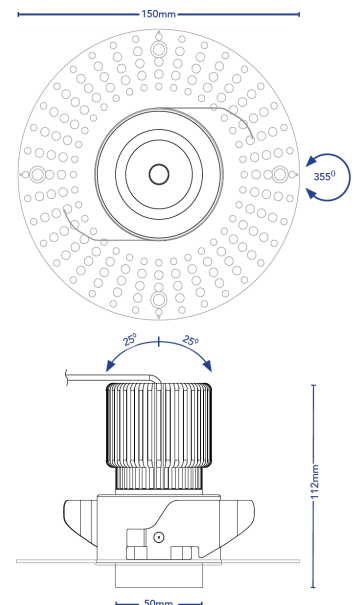
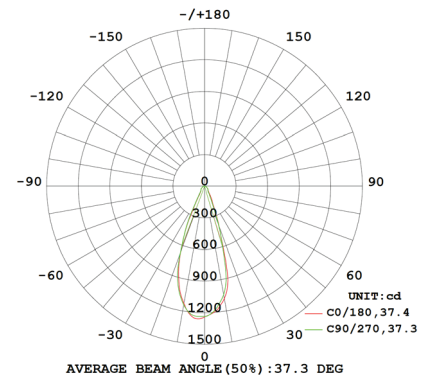
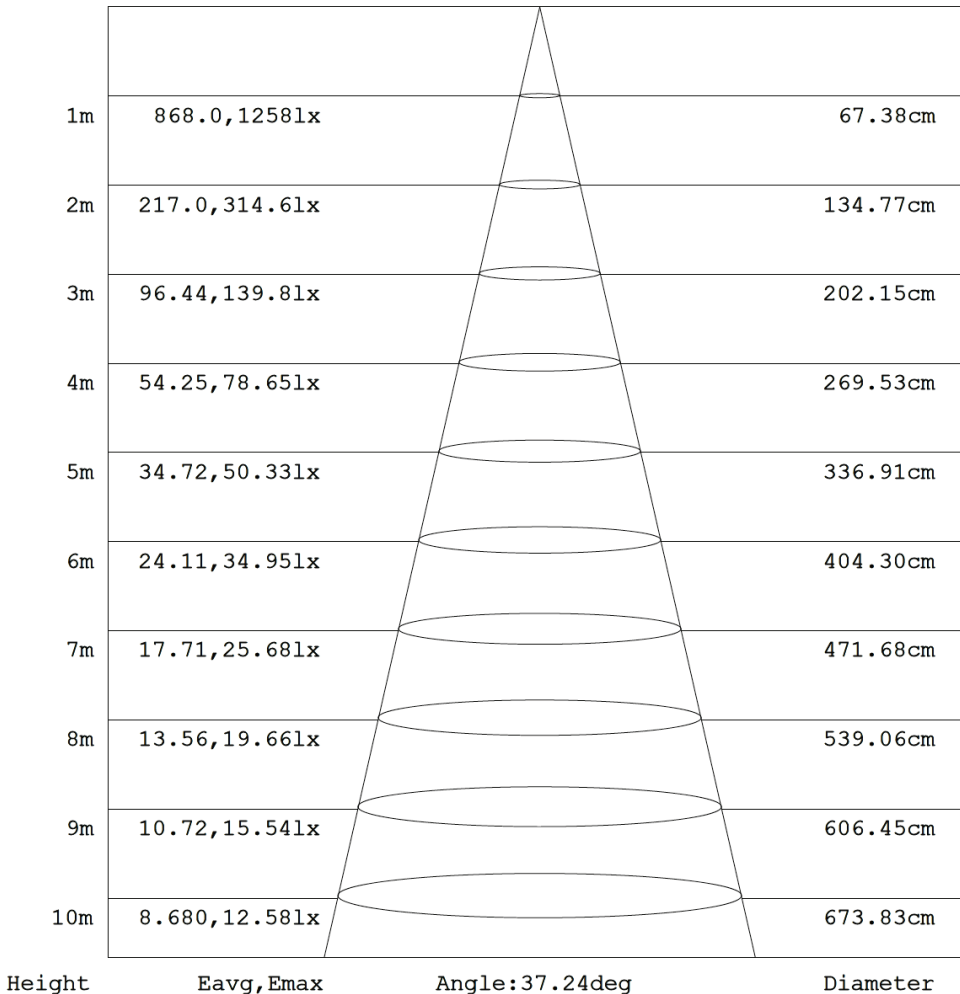
PHOTOMETRY

## Downlight - Modulated Click Spot Series - Trimless - D Spot - 2700K

<b>FITTING</b> - Downlight - Modulated Click Spot Series - Trimless - D Spot		<b>CODE</b> - 4911_2700K_60°	
<b>BODY</b> - Modulated Downlight System With Long Snoot & No Trim. Allowing For Interchangeable Body			
<b>LAMP</b> - TOVO 10W 2700K LED Lamp With Dimmable 25-42VDC 250mA LED Driver			
<b>INSTALLATION</b> - Recessed Downlight. 76mm Cut		<b>POWER SUPPLY</b> - 220- 250V LED Driver c/w Flex & Plug	
<b>NOMINAL POWER</b>	10W	<b>RATED INPUT VOLTAGE</b>	240V
<b>NOMINAL FLUX</b>	622.1 Lm	<b>LAMPS INSIDE</b>	1
<b>IMAX</b>	1265 CD	<b>LIGHT OUTPUT RATIO</b>	100%
<b>CIE CLASS</b>	Direct	<b>UP</b>	.01%
<b>EFFICIENCY</b>	49.27 Lm/W	<b>DOWN</b>	99.9%

LUMINANCE cd/(m <sup>2</sup> )		
G (DEG)	C0/180	C90/270
85	22001	10953
80	33148	25627
75	39354	32553
70	44240	37891
65	49162	42826
60	54128	47521
55	59429	52324
50	64520	57664
45	67521	63204

Flux out:323.3 lm





Downlight - Modulated Click Spot Series - Trimless - D Spot - 2700K

**Coefficients of Utilisation**

$\rho_{cc}$	80%			70%			50%			30%			10%			0
$\rho_w$	50%	30%	10%	50%	30%	10%	50%	30%	10%	50%	30%	10%	50%	30%	10%	0
$\rho_{fc}$	20%			20%			20%			20%			20%			0
RCR	RCR:Room Cavity Ratio															
	Coefficients of Utilization (CU)															
0.0	1.19	1.19	1.19	1.16	1.16	1.16	1.11	1.11	1.11	1.06	1.06	1.06	1.02	1.02	1.02	.00
1.0	1.10	1.07	1.05	1.08	1.06	1.03	1.04	1.02	1.00	1.00	.99	.97	.97	.95	.94	.93
2.0	1.02	.98	.95	1.01	.97	.93	.97	.94	.91	.94	.92	.89	.91	.89	.88	.86
3.0	.95	.90	.86	.94	.89	.86	.91	.88	.84	.89	.86	.83	.87	.84	.82	.80
4.0	.90	.84	.80	.89	.83	.79	.86	.82	.78	.84	.81	.78	.82	.79	.77	.75
5.0	.85	.79	.75	.84	.78	.74	.82	.77	.74	.80	.76	.73	.79	.75	.72	.71
6.0	.80	.74	.70	.79	.74	.70	.78	.73	.69	.76	.72	.69	.75	.71	.68	.67
7.0	.76	.70	.66	.75	.70	.66	.74	.69	.66	.73	.69	.65	.72	.68	.65	.64
8.0	.73	.67	.63	.72	.67	.63	.71	.66	.63	.70	.66	.62	.69	.65	.62	.61
9.0	.69	.64	.60	.69	.64	.60	.68	.63	.60	.67	.63	.60	.66	.62	.59	.58
10.0	.66	.61	.57	.66	.61	.57	.65	.60	.57	.64	.60	.57	.64	.60	.57	.56

**Candela Distribution**

UNIT: cd

C (DEG) \ $\gamma$ (DEG)	0	22.5	45	67.5	90	112.5	135	157.5	180	202.5	225	247.5	270	292.5	315	337.5			
0	1239	1238	1237	1236	1235	1234	1233	1232	1239	1238	1237	1236	1235	1234	1233	1232			
5	1189	1180	1178	1166	1175	1185	1203	1220	1249	1260	1261	1249	1230	1217	1207	1200			
10	1084	1057	1039	1038	1047	1057	1085	1101	1132	1147	1157	1151	1145	1120	1109	1101			
15	832	757	716	715	748	803	866	900	944	964	973	980	974	962	947	917			
20	404	361	353	364	393	452	515	589	669	702	711	713	678	627	556	471			
25	196	183	169	166	166	181	221	272	359	400	429	418	388	332	269	226			
30	127	117	110	100	96.5	95.3	96.9	107	131	150	153	166	157	141	132	133			
35	74.8	65.0	61.1	57.5	57.3	57.6	59.1	61.4	67.1	70.9	73.5	78.9	82.4	81.9	80.7	80.7			
40	53.2	51.7	50.4	49.8	50.0	50.4	51.0	52.1	53.6	54.6	55.3	55.9	55.7	55.1	54.3	53.2			
45	47.7	46.5	45.1	44.6	44.7	45.5	46.6	47.7	48.8	49.6	49.9	49.7	49.4	48.7	48.2	47.3			
50	41.5	39.8	38.3	37.3	37.1	37.5	38.8	40.7	43.3	44.7	45.5	45.4	44.9	44.3	43.3	42.1			
55	34.1	32.4	31.0	30.3	30.0	30.3	31.1	32.4	34.2	35.8	36.9	37.5	37.4	36.8	35.9	34.6			
60	27.1	25.7	24.6	23.9	23.8	24.1	24.8	25.9	27.0	28.5	29.4	30.0	30.1	29.6	28.8	27.7			
65	20.8	19.6	18.7	18.2	18.1	18.4	19.1	20.1	21.1	22.2	23.1	23.6	23.7	23.2	22.4	21.3			
70	15.1	14.1	13.3	12.9	13.0	13.4	14.0	14.9	15.7	16.7	17.5	17.9	17.9	17.4	16.6	15.6			
75	10.2	9.30	8.57	8.33	8.43	8.82	9.47	10.2	10.7	11.7	12.4	12.7	12.7	12.2	11.4	10.5			
80	5.76	5.02	4.54	4.29	4.45	4.70	5.34	6.15	6.42	7.21	7.77	8.08	8.02	7.52	6.81	6.03			
85	1.92	1.27	0.88	0.80	0.95	1.28	1.69	2.39	2.61	3.32	3.72	3.94	3.87	3.55	2.76	2.14			
90	0.00	0.00	0.00	0.00	0.00	0.00	0.00	0.00	0.00	0.00	0.23	0.39	0.31	0.00	0.00	0.00			
95	0.00	0.00	0.00	0.00	0.00	0.00	0.00	0.00	0.00	0.00	0.00	0.00	0.00	0.00	0.00	0.00			
100	0.00	0.00	0.00	0.00	0.00	0.00	0.00	0.00	0.00	0.00	0.00	0.00	0.00	0.00	0.00	0.00			
105	0.00	0.00	0.00	0.00	0.00	0.00	0.00	0.00	0.00	0.00	0.00	0.00	0.00	0.00	0.00	0.00			
110	0.00	0.00	0.00	0.00	0.00	0.00	0.00	0.00	0.00	0.00	0.00	0.00	0.00	0.00	0.00	0.00			
115	0.00	0.00	0.00	0.00	0.00	0.00	0.00	0.00	0.00	0.00	0.00	0.00	0.00	0.00	0.00	0.00			
120	0.00	0.00	0.00	0.00	0.00	0.00	0.00	0.00	0.00	0.00	0.00	0.00	0.00	0.00	0.00	0.00			
125	0.00	0.00	0.00	0.00	0.00	0.00	0.00	0.00	0.00	0.00	0.00	0.00	0.00	0.00	0.00	0.00			
130	0.00	0.00	0.00	0.00	0.00	0.00	0.00	0.00	0.00	0.00	0.00	0.00	0.00	0.00	0.00	0.00			
135	0.00	0.00	0.00	0.00	0.00	0.00	0.00	0.00	0.00	0.00	0.00	0.00	0.00	0.00	0.00	0.00			
140	0.00	0.00	0.00	0.00	0.00	0.00	0.00	0.00	0.00	0.00	0.00	0.00	0.00	0.00	0.00	0.00			
145	0.00	0.00	0.00	0.00	0.00	0.00	0.00	0.00	0.00	0.00	0.00	0.00	0.00	0.00	0.00	0.00			
150	0.00	0.00	0.00	0.16	0.00	0.00	0.00	0.00	0.40	0.40	0.08	0.32	0.00	0.32	0.08	0.24			
155	0.00	0.00	0.23	0.08	0.08	0.00	0.47	0.00	0.48	0.48	0.40	0.64	0.33	0.56	0.48	0.56			
160	0.24	0.78	0.95	0.78	0.32	0.63	1.27	0.40	0.80	0.88	0.79	0.79	0.95	1.03	0.88	0.72			
165	0.95	1.11	1.35	1.27	0.56	1.35	1.35	0.79	1.35	1.43	1.03	0.95	0.95	1.11	0.95	1.11			
170	1.59	1.74	1.98	1.90	1.34	1.35	1.43	1.35	1.59	1.59	1.35	1.74	1.27	1.27	1.43	1.44			
175	1.67	2.46	3.81	3.49	1.43	1.75	1.75	1.51	1.59	1.67	1.67	1.82	1.75	1.43	1.75	1.75			
180	1.67	2.14	1.91	1.98	1.51	1.75	1.75	1.51	1.75	1.67	1.90	1.90	1.90	1.43	1.75	1.75			