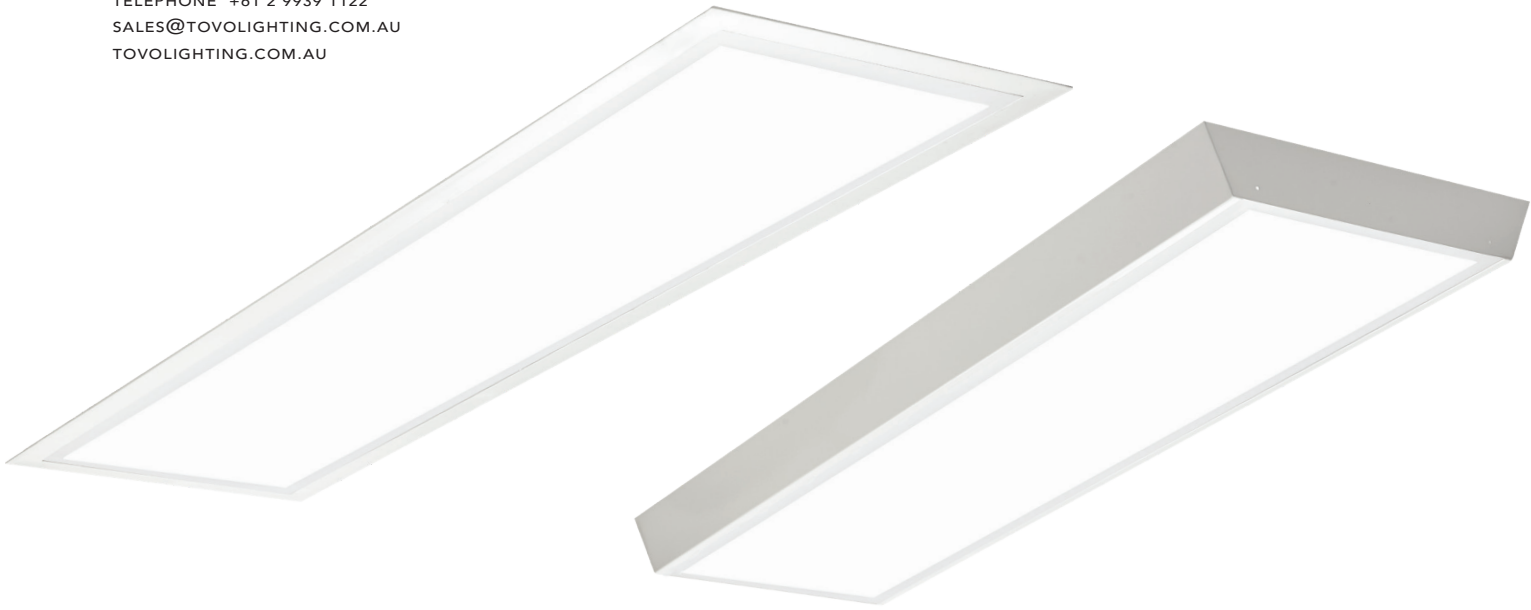


TOVO

TOVO LIGHTING
 726 PITTWATER ROAD, BROOKVALE
 SYDNEY, NSW AUSTRALIA 2100
 TELEPHONE +61 2 9939 1122
 SALES@TOVOLIGHTING.COM.AU
 TOVOLIGHTING.COM.AU



LED PANEL LIGHT

DESCRIPTION LED Panel Featuring Selectable Colour Temperature.
 Choice Of Recessed Or Surface Mounted Frame.

CODE 1811

COLOUR White

COLOUR TEMPERATURE 3000K / 4000K / 5700K selectable

CRI ≥ 80

LUMENS 3000K - 2900Lm

4000K - 3200Lm

5700K - 3100Lm

INPUT VOLTAGE 240V AC

WATTAGE 30W

BEAM ANGLE 100°

DIMMABLE No

DRIVER Dedicated Integral

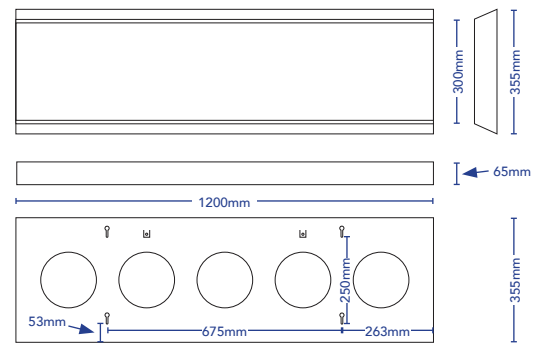
IP RATING IP20

OPTIONS Either Recessed Frame or Surface Mounted Frame

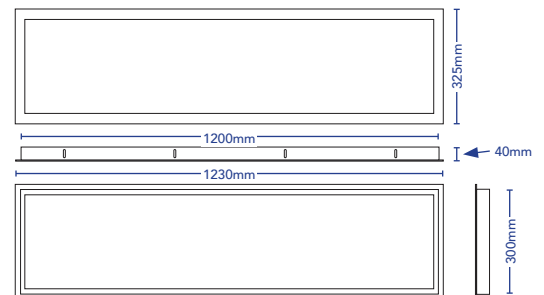
CUT OUT Recessed - 1210 x 305mm

Surface Mount - N/A

Surface Mounted Frame



Recessed Frame



IP RATING: 20



WHITE

