

TOVO

Extrusion Skyline Horizon Exhaust Feature

Our innovative Horizon extrusion features an option where it can be fitted with an exhaust duct.

This makes it a popular choice for areas such as bathrooms and kitchens. This innovation allows the fitting to exhaust these areas in an unobtrusive way, with no visible vents or ducting, while illuminating the area with Horizon's beautiful soft lighting.

The following information will provide all of the additional information required to fit a Horizon when this option is being utilised. It should be used in addition to the Horizon's Installation Data Sheet which gives more general information on the correct installation of the fitting.

Our Horizon order form has a provision to option the fitting with ducting.

In large areas and for longer fittings a Horizon can be fitted with multiple ducts.

Either 125mm or 150mm ducts can be utilised.

Ducting can be connected either from the top or the side of the fitting.

System components supplied by TOVO Lighting consist of;

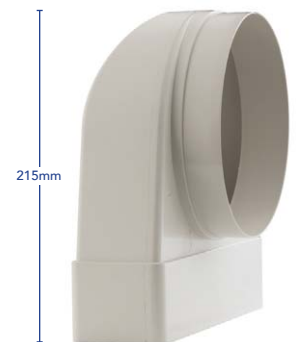
- Horizon Extrusion Light Fitting with exhaust duct flange/s welded in place. (as specified on the Horizon order form)
- Exhaust duct adapter/s to connect your ducting, either 125mm or 150mm, with the Horizon fitting.
- Note: 125mm duct adapter is a straight connector, 150mm duct adapter is a 90° connector.



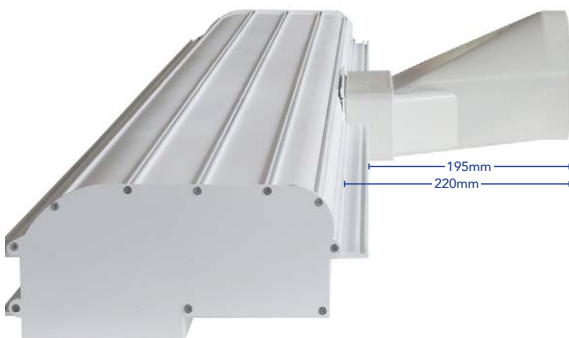
125mm duct adapter



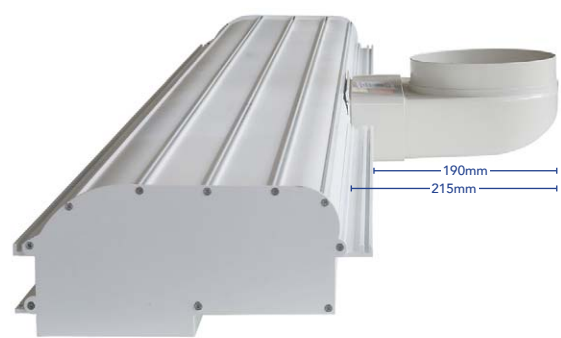
Horizon with exhaust duct flange fitted to top



150mm duct adapter



Horizon with 125mm adapter fitted to side exhaust.



Horizon with 150mm adapter fitted to side exhaust.

TOVO LIGHTING | 726 PITTWATER ROAD, BROOKVALE, SYDNEY, NSW AUSTRALIA 2100
TELEPHONE +61 2 9939 1122 | SALES@TOVOLIGHTING.COM.AU | TOVOLIGHTING.COM.AU