

Horizon installation – Wall washer

There are many different ways to install this product. This is only a **suggested** method.



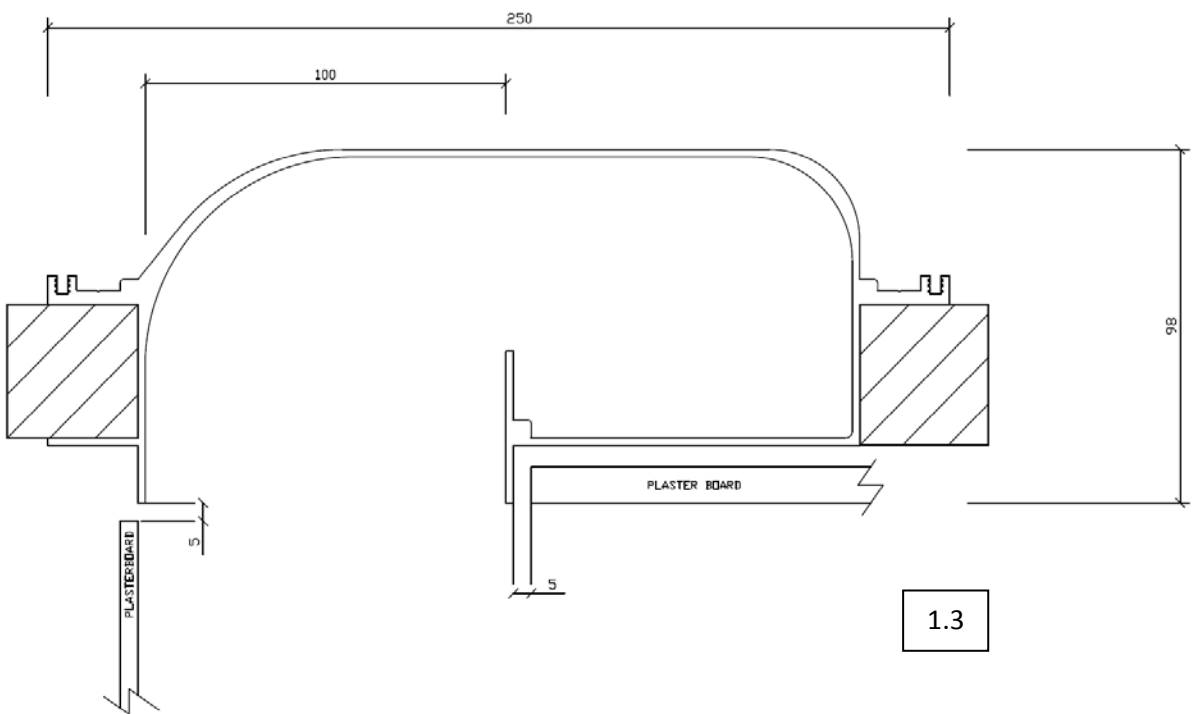
1.1

STEP 1: Horizon is mounted onto timber frame and low voltage cable in run though the end cap. Note: driver will be remotely installed. (1.1)



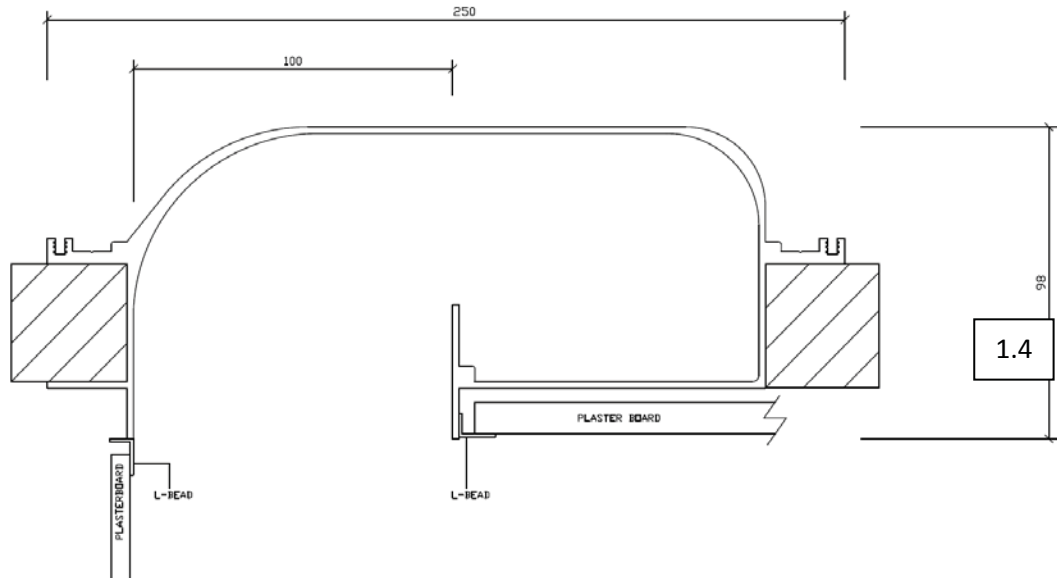
1.2

STEP 2: Plasterboard is mounted onto wall frame leaving a 5mm gap between plasterboard and Horizon fitting. (1.2, 1.3)



1.3

STEP 3: Place an L Bead along the 5mm gap between the plasterboard and extrusion. Push it up until it is flush with the extrusion. (1.4)



STEP 4: The X2 Extrusion provided will also come with small magnetic rods. Insert these along the length of the 45 degree slot in the back, evenly spaced along the whole length (1.5). Locate the metal plates also provided and place them onto the magnetic rods, which are already in the X2 extrusion (1.6). Mount the X2 extrusion with the plates attached into the back of the Skyline Horizon (1.7, 1.8).

