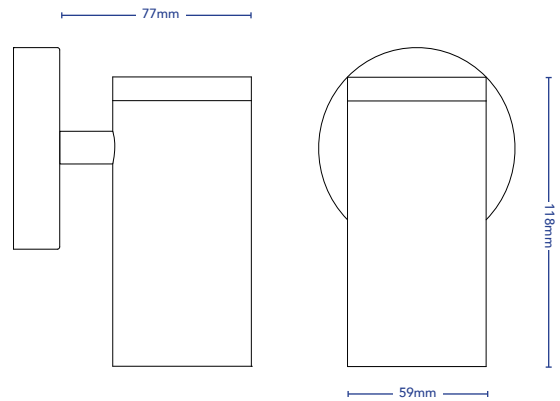


# TOVO



## NOOSA FIXED

DESCRIPTION	Fixed Spotlight
CODES	2601
FINISHES	White, Black, Copper, Brass, Stainless Steel, Aged Copper, Aged Brass, Custom
COLOUR TEMP	2700K, 3000K
BEAM ANGLE	60, 38, 18
CRI	≥90
LUMEN OUTPUT	676Lm
WATTAGE	8W
FIXTURE VOLTAGE	24V DC Constant Voltage 240V AC
DIMMING	Based On Driver and Voltage Selection
DRIVER	Remote Driver Required for 24V DC Selection Integral Driver Provided for 240V AC Selection
DRIVER OPTIONS	Non-Dim, Phase, Touch, DALI
IP RATING	IP66



Notes:  
All data stipulated are nominal values based on 2700K with accuracy of +/- 5%.



WHITE



BLACK



COPPER



AGED COPPER



TILT  
140°



ROTATION  
355°



INGRESS  
IP66



BRASS



STAINLESS  
STEEL



CUSTOM



AGED BRASS

# NOOSA FIXED

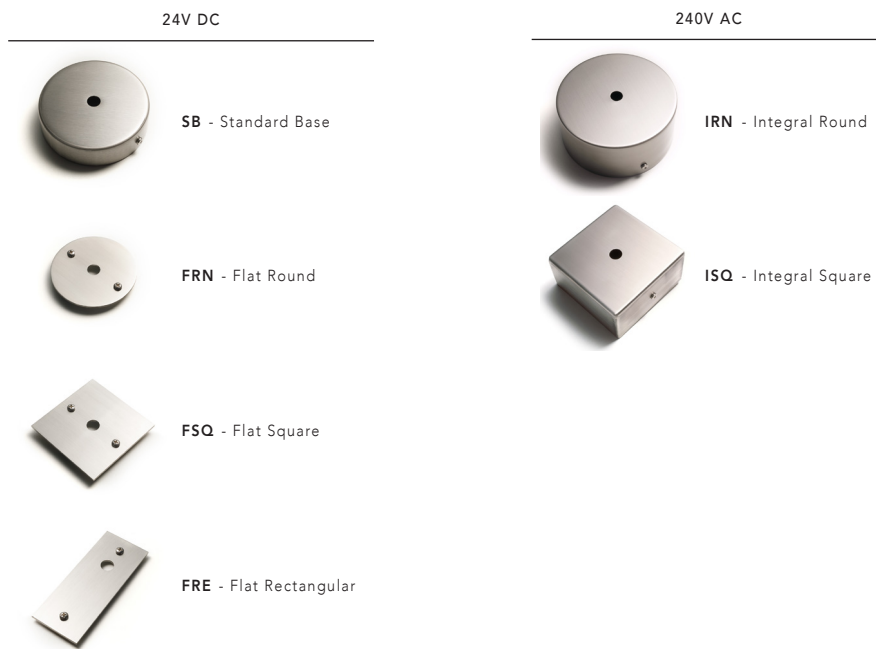
## MANUFACTURING OPTIONS

FIXTURE						DRIVER
CODE	FINISH	BACK PLATE	CCT	BEAM ANGLE	VOLTAGE	DIMMING
2601	WH - White	SB - Standard Base	27 - 2700K	24 - 24° Narrow	24V - 24V DC	ND - Non-Dim
	BLK - Black	FRN - Flat Round	30 - 3000K	38 - 38° Medium		PH - Phase Dim
	CU - Copper	FSQ - Flat Square		60 - 60° Wide	TH - Touch Dim	
	BR - Brass	FRE - Flat Rectangular			DA - DALI	
	SS - Stainless Steel					
	AC - Aged Copper					
	AB - Aged Brass					
CF - Custom Finish						
		BACK PLATE	CCT	BEAM ANGLE	VOLTAGE	DIMMING
		IRN - Integral Round	27 - 2700K	24 - 24° Narrow	* 240V - 240V AC	ND - Non-Dim
		ISQ - Integral Square	30 - 3000K	38 - 38° Medium		
				60 - 60° Wide		

Example Code: 2601\_CU\_FSQ\_27\_38\_24V

Notes:  
 \* 240V AC Fixture are only available with Integral Back Plates. A non-dimmable AC to DC driver is provided inside the Back Plate.  
 Phase dimmable drivers are not recommended for 24V DC fixtures due to possible flickering, but can be provided upon request.

## BACK PLATES



Notes:  
 All screws provided for installation into different materials.