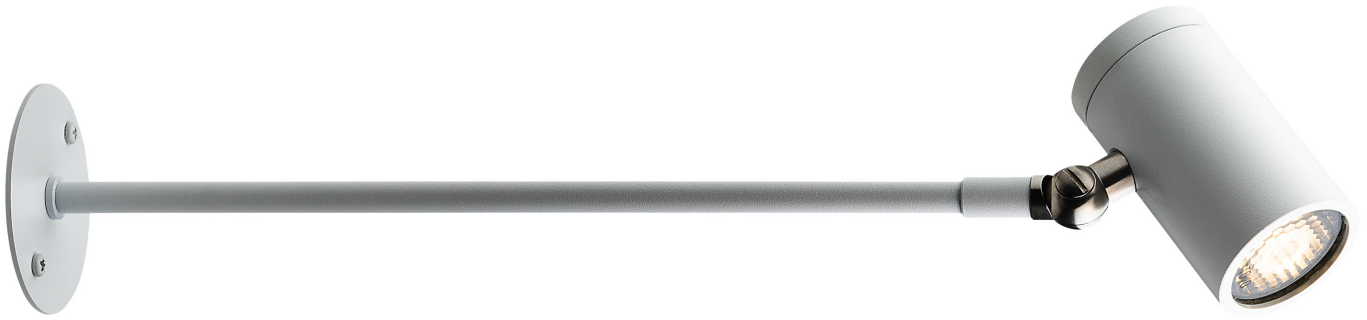


TOVO



HAMILTON ROD

DESCRIPTION	Mini Adjustable Spot With Rod Extension
CODES	1870
FINISHES	White, Black, Copper, Brass, Stainless Steel, Aged Copper, Aged Brass, Custom
COLOUR TEMP	2700K, 3000K
BEAM ANGLE	38
CRI	≥90
LUMEN OUTPUT	420Lm
WATTAGE	4W
FIXTURE VOLTAGE	24V DC Constant Voltage 240V AC
DIMMING	Based On Driver and Voltage Selection
DRIVER	Remote Driver Required for 24V DC Selection
DRIVER OPTIONS	Non-Dim, Phase, Touch, DALI
IP RATING	IP66



WHITE



BLACK



COPPER



AGED BRASS



STAINLESS STEEL



CUSTOM



BRASS



AGED COPPER

Notes:
All data stipulated are nominal values based on 2700K with accuracy of +/- 5%.



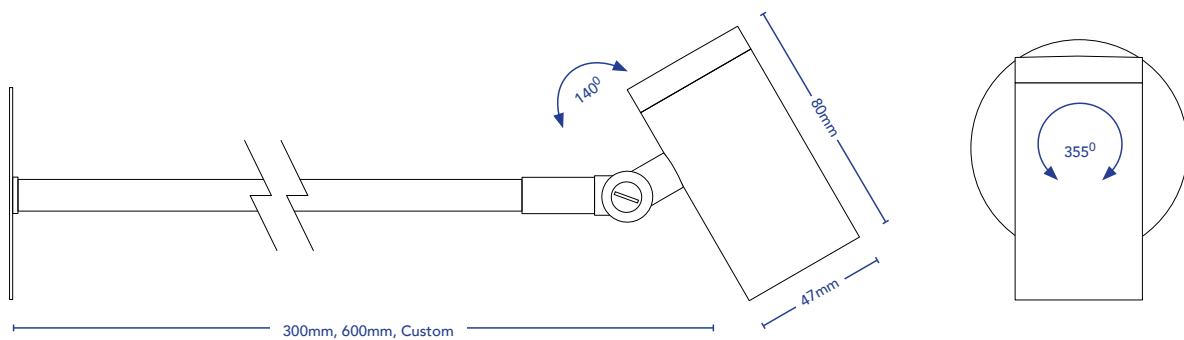
TILT
140°



ROTATION
355°



INGRESS
IP66



HAMILTON ROD

MANUFACTURING OPTIONS

FIXTURE							DRIVER
CODE	FINISH	BACK PLATE	ROD	CCT	BEAM ANGLE	VOLTAGE	DIMMING
1870	WH - White	FRN - Flat Round	R3 - 300mm	27 - 2700K	38 - 38° Medium	24V - 24V DC	ND - Non-Dim
	BLK - Black	FSQ - Flat Square	R6 - 600mm	30 - 3000K			PH - Phase Dim
	CU - Copper	FRE - Flat Rectangular	CL - Custom Length		TH - Touch Dim		
	BR - Brass				DA - DALI		
	SS - Stainless Steel						
	AC - Aged Copper						
	AB - Aged Brass						
CF - Custom Finish							

Example Code: **1870_CU_FSQ_R3_27_38_24V**

Notes:
Phase dimable drivers are not recommended for 24V DC fixtures due to possible flickering, but can be provided upon request.

BACK PLATES



FRN - Flat Round



FSQ - Flat Square



FRE - Flat Rectangular

Notes:
All screws provided for installation into different materials.

RODS

