

# TOVO



## NOOSA ROD

DESCRIPTION	Adjustable Spot With Rod Extension
CODES	2654
FINISHES	White, Black, Copper, Brass, Stainless Steel, Custom
COLOUR TEMP	2700K, 3000K
BEAM ANGLE	60, 38, 18
CRI	≥90
LUMEN OUTPUT	676Lm
WATTAGE	8W
FIXTURE VOLTAGE	24V DC Constant Voltage 240V AC
DIMMING	Based On Driver and Voltage Selection
DRIVER	Remote Driver Required for 24V DC Selection
DRIVER OPTIONS	Non-Dim, Phase, Touch, DALI
IP RATING	IP66



WHITE



BRASS



TILT  
140°



BLACK



STAINLESS  
STEEL



ROTATION  
355°



COPPER

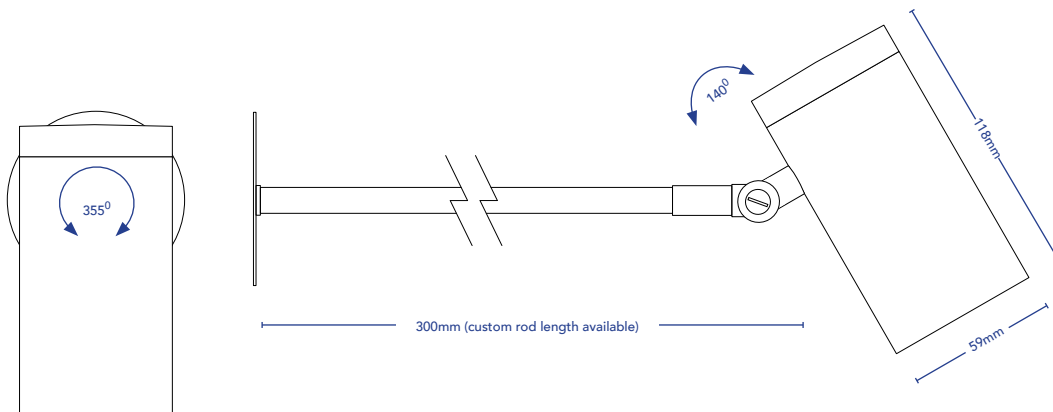


CUSTOM



INGRESS  
IP66

Notes:  
All data stipulated are nominal values based on 2700K with accuracy of +/- 5%.



# NOOSA ROD

## MANUFACTURING OPTIONS

FIXTURE							DRIVER
CODE	FINISH	BACK PLATE	ROD	CCT	BEAM ANGLE	VOLTAGE	DIMMING
2654	WH - White	SB - Standard Base	R3 - 300m	27 - 2700K	38 - 38° Medium	24V - 24V DC	ND - Non-Dim
	BLK - Black	FRN - Flat Round	CL - Custom length	30 - 3000K			PH - Phase Dim
	CU - Copper	FSQ - Flat Square			TH - Touch Dim		
	BR - Brass	FRE - Flat Rectangular			DA - DALI		
	SS - Stainless Steel						
	CF - Custom Finish						

Example Code: 2654\_CU\_FSQ\_R3\_27\_38\_24V

Notes:  
Phase dimmable drivers are not recommended for 24V DC fixtures due to possible flickering, but can be provided upon request.

### BACK PLATES



FRN - Flat Round



FSQ - Flat Square

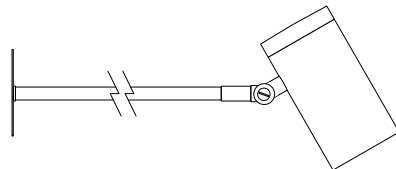


FRE - Flat Rectangular

Notes:  
All screws provided for installation into different materials.

### RODS

R3 - 300mm



CL - Max 300mm

