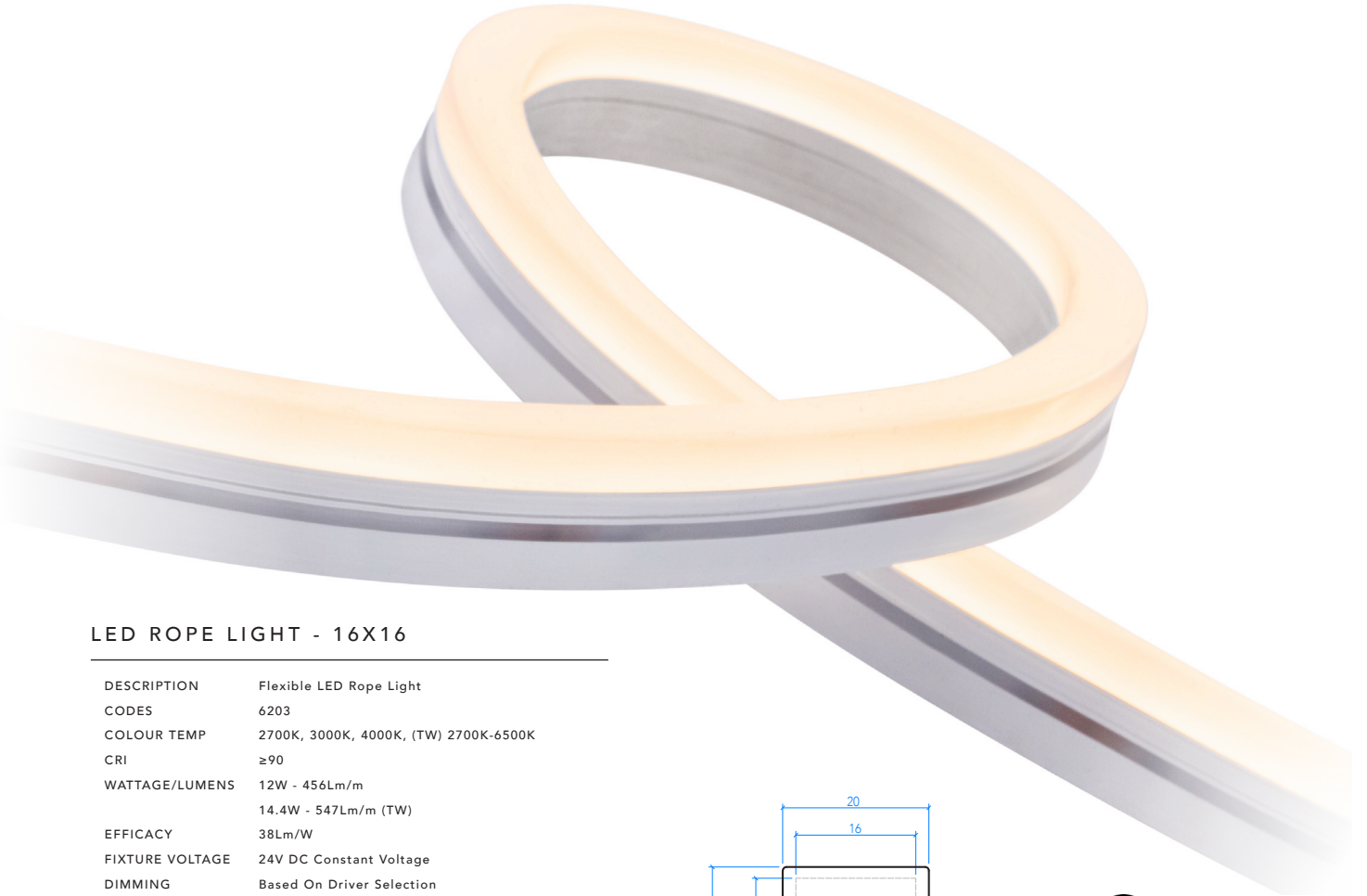
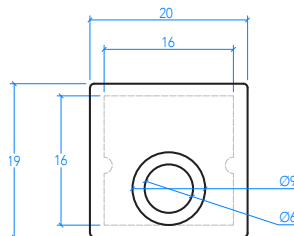


# TOVO

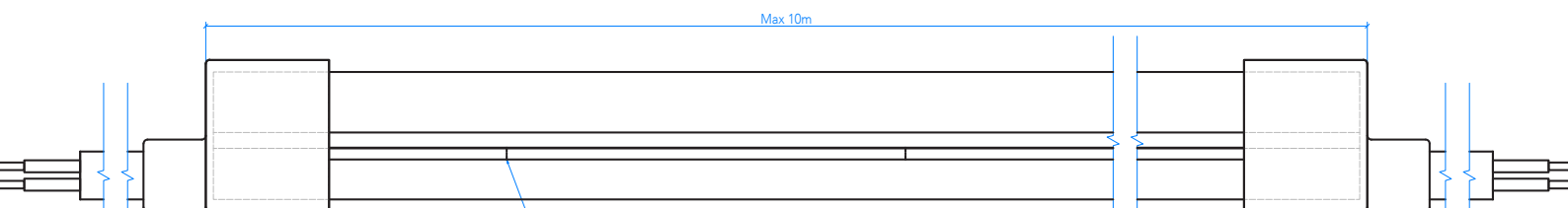
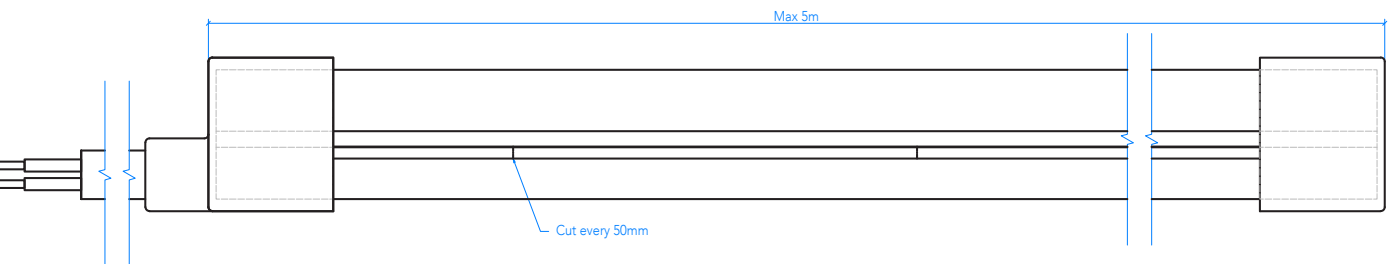


## LED ROPE LIGHT - 16X16

DESCRIPTION	Flexible LED Rope Light
CODES	6203
COLOUR TEMP	2700K, 3000K, 4000K, (TW) 2700K-6500K
CRI	≥90
WATTAGE/LUMENS	12W - 456Lm/m 14.4W - 547Lm/m (TW)
EFFICACY	38Lm/W
FIXTURE VOLTAGE	24V DC Constant Voltage
DIMMING	Based On Driver Selection
DRIVER	Remote Driver Required
DRIVER OPTIONS	Non-Dim, Phase, Touch, DALI
IP RATING	IP67



Notes:  
All data stipulated are nominal values based on 2700K with accuracy of +/- 5%.  
Lengths longer than 5000mm require two power feeds, one at each end.  
Maximum length 10000mm.



# ROPE LIGHT - 16X16

## MANUFACTURING OPTIONS

FIXTURE				DRIVER
CODE	BEND DIRECTION	CABLE ENTRY	CCT	DIMMING
6203_	SB - Side Bend	EC - End Cable	27 - 2700K	ND - Non-Dim
	TB - Top Bend	BC - Bottom Cable	30 - 3000K	PH - Phase Dim
		RC - Right Cable	40 - 4000K	TH - Touch Dim
		LC - Left Cable	27/65 - 2700K - 6500K	DA - DALI

Example Code: 6203\_SB\_EC\_27\_DA

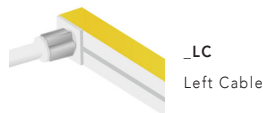
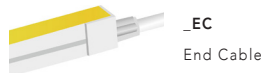
Notes:  
Phase dimmable drivers are not recommended for 24V DC fixtures due to possible flickering, but can be provided upon request.

## ACCESSORIES OPTIONS

### BEND DIRECTIONS



### CABLE ENTRY



### MOUNTING ACCESSORIES

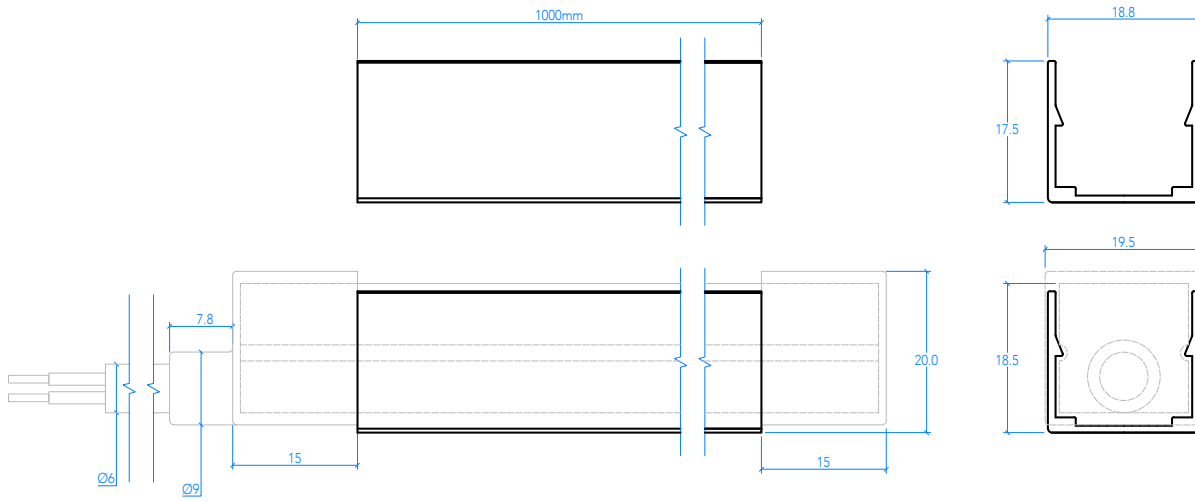


Notes:  
End Cable Entry is the default if no specific cable entry is stipulated.  
Mounting accessories should be ordered separately.

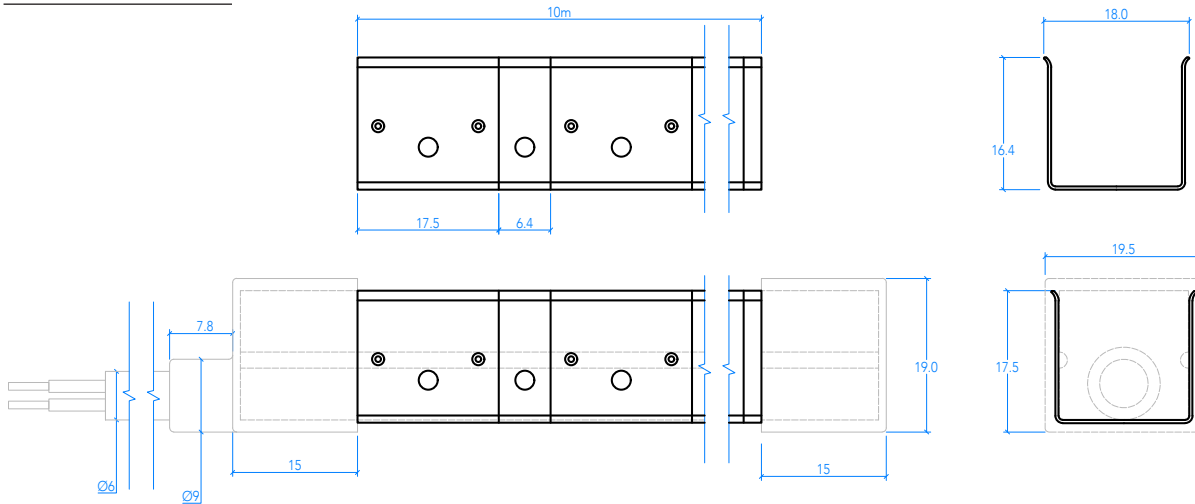
# ROPE LIGHT - 16X16

## DIMENSIONS

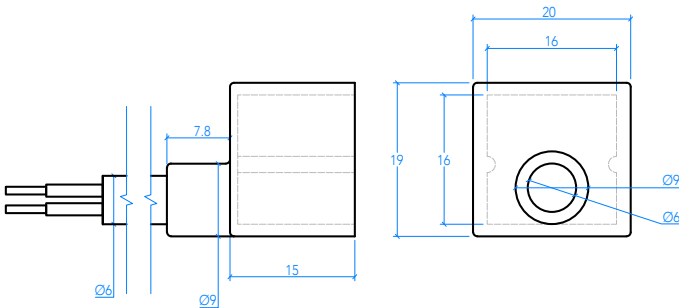
### Rigid Mounting Extrusion



### Flexible Mounting Extrusion



### End Cable



### Side Cable

